

Radial piston motors for industrial applications

MCR-D

MCR-E

RE 15196

Edition: 02.2017

Replaces: 12.2013

**MCR-D**

- ▶ Frame size MCR3, MCR5, MCR10
- ▶ Displacement 160 cc to 1340 cc
- ▶ Differential pressure up to 450 bar
- ▶ Torque output up to 4800 Nm
- ▶ Speed up to 875 rpm
- ▶ Open and closed circuits

**MCR-E**

- ▶ Frame size MCR5
- ▶ Displacement 380 cc to 820 cc
- ▶ Differential pressure up to 450 bar
- ▶ Torque output up to 3000 Nm
- ▶ Speed up to 570 rpm
- ▶ Open and closed circuits

Features

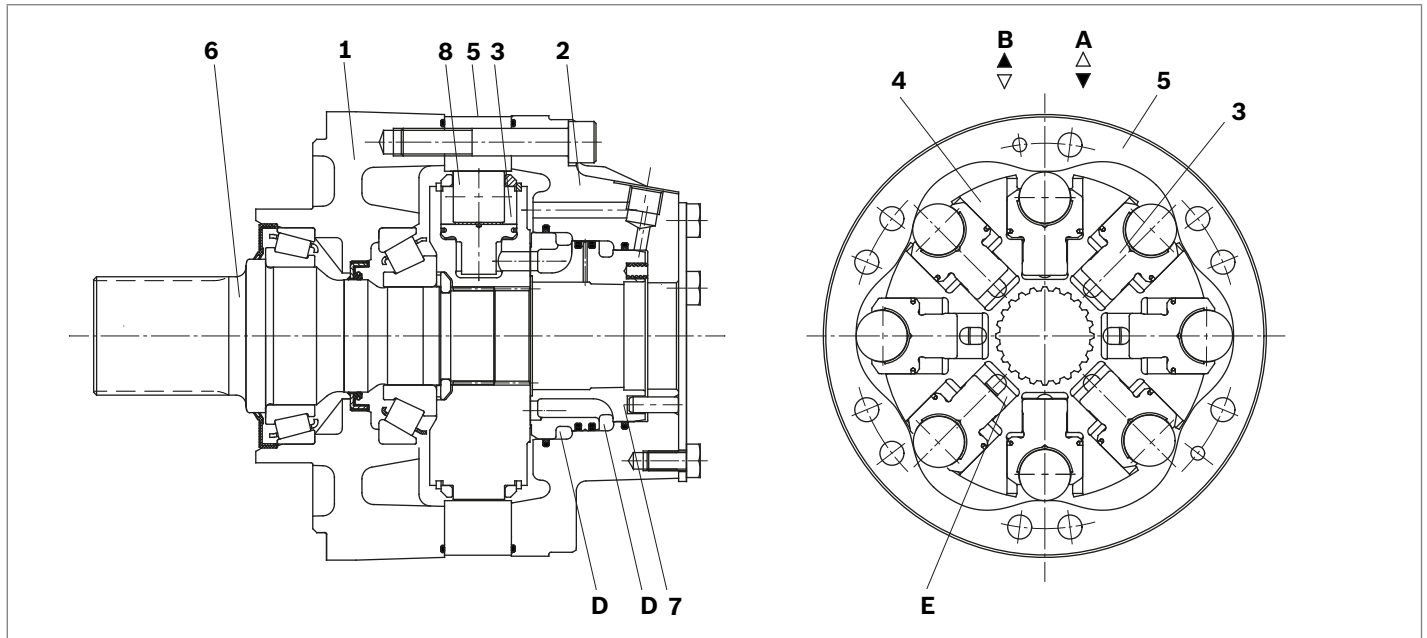
- ▶ Compact robust construction
- ▶ High volumetric and mechanical efficiencies
- ▶ Front case mount
- ▶ Parallel shaft with key
- ▶ High reliability
- ▶ Low maintenance
- ▶ Smooth running at very low speeds
- ▶ Low noise
- ▶ Bi-directional
- ▶ Sealed tapered roller bearings
- ▶ Freewheeling possible
- ▶ Available with:
 - Holding brake (multi-disc)
 - Bi-directional two speed
 - Integrated flushing valve
 - Speed sensor

Contents

Functional description	2
Ordering code	5
Technical data	7
Efficiencies	8
Permitted loading on drive shaft	9
Dimensions	10
Selection guide	16



Functional description



Hydraulic motors of the type MCR-D, MCR-E are radial piston motors with front case mounting and parallel shaft with key. MCR-D and MCR-E have the same type of rotary group and rear case assembly but differ in the front case mounting. These motors are intended for open or closed circuit operations as drive motors for various industrial applications.

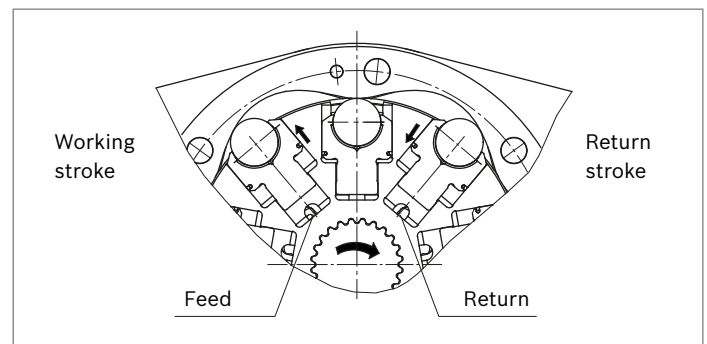
Construction

Two part housing (**1, 2**), rotary group (**3, 4, 8**), cam (**5**), drive shaft (**6**) and flow distributor (**7**)

Transmission

The cylinder block (**4**) is connected to the shaft (**6**) by means of splines. The pistons (**3**) are arranged radially in the cylinder block (**4**) and make contact with the cam (**5**) via rollers (**8**).

Torque generation



The number of working and return strokes corresponds to the number of lobes on the cam multiplied by number of pistons in the cylinder block.

Flow paths

The ports **A** and **B**, which are located in the rear case, carry oil through the distributor to the cylinder chambers (**E**).

Bearings

Tapered roller bearings capable of transmitting high axial and radial forces are fitted as standard.

Freewheeling

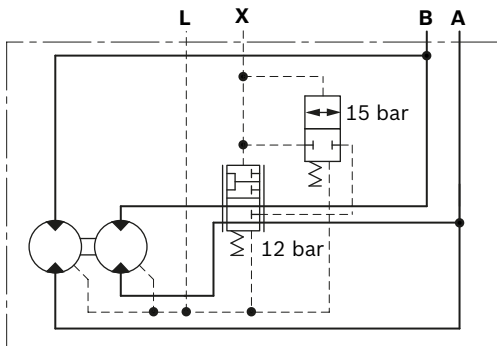
In certain applications there may be a requirement to free-wheel the motor. This may be achieved by connecting ports **A** and **B** to zero pressure and simultaneously applying a pressure of 2 bar to the housing through port **L**. In this condition, the pistons are forced into the cylinder block which forces the rollers to lose contact with the cam thus allowing free rotation of the shaft.

Two speed operation (2W)

In mobile applications where vehicles are required to operate at high speed with low motor loads, the motor can be switched to a low-torque and high-speed mode. This is achieved by operating an integrated valve which directs hydraulic fluid to only one half of the motor while continuously re-circulating the fluid in the other half. This “reduced displacement” mode reduces the flow required for a given speed and gives the potential for cost and efficiency improvements. The motor maximum speed remains unchanged.

Bosch Rexroth has developed a special spool valve to allow smooth switching to reduced displacement whilst on the move. This is known as “soft-shift” and is a standard feature of 2W motors. The spool valve requires either an additional sequence valve or electro-proportional control to operate in “soft-shift” mode.

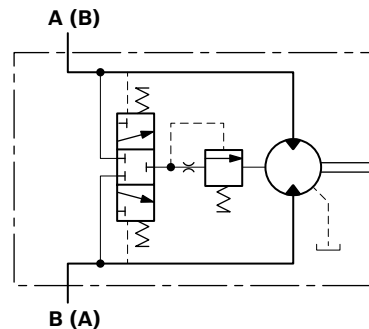
▼ Schematic



Flushing valve

In a closed circuit, the same hydraulic fluid continuously flows between the pump and the motor. This could therefore lead to overheating of the hydraulic fluid. The function of the flushing valve option is to replace hydraulic fluid in the closed circuit with that from the reservoir. When the hydraulic motor is operated under load, either in the clockwise or anti-clockwise direction, the flushing valve opens and takes a fixed flow of fluid through an orifice from the low pressure side of the circuit. This flow is then fed to the motor housing and back to the reservoir normally via a cooler. In order to charge the low pressure side of the circuit, cool fluid is drawn from the reservoir by the boost pump and is fed to the pump inlet through the check valve. Thus the flushing valve ensures a continuous renewal and cooling of the hydraulic fluid. The flushing feature incorporates a relief valve which is used to maintain a minimum boost pressure and operates at a standard setting of 14 bar (other options available on request). Different orifice sizes may be used to select varying flows of flushing fluid. The following table gives flushing rate values based on a boost / charge pressure of 25 bar.

▼ Schematic



Flushing flow rates

Flushing code	Orifice size [mm]	Flow [l/min] at 25 bar ¹⁾	
		min	max
F1	Ø1	2.2	2.7
F2	Ø1.5	5.0	6.1
F7	Ø1.7	6.4	7.8
F4	Ø2	8.2	10.7
F6	Ø2.3	8.8	11.4

1) 0.6 mm Shim (Standard), Cracking pressure = 11±3 bar

Holding brake (multi-disc brake)

Mounting

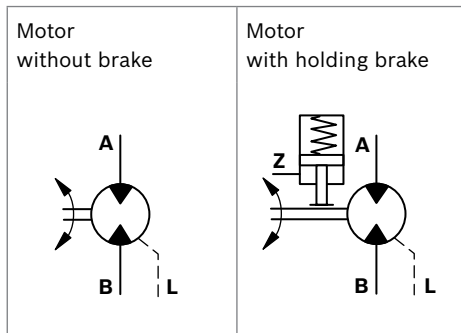
By way of rear housing (2) and brake shaft (14).

Brake application

As a safety requirement in mobile applications a parking brake may be provided to ensure that the motor cannot turn when the machine is not in use. The parking brake provides holding torque by means of discs (11) that are compressed by a disc spring (10). The brake is released when oil pressure is applied to brake port “Z” and the pressure in the annular area (9) compresses the disc spring using brake piston (12) thus allowing the brake discs (11) to turn independently.

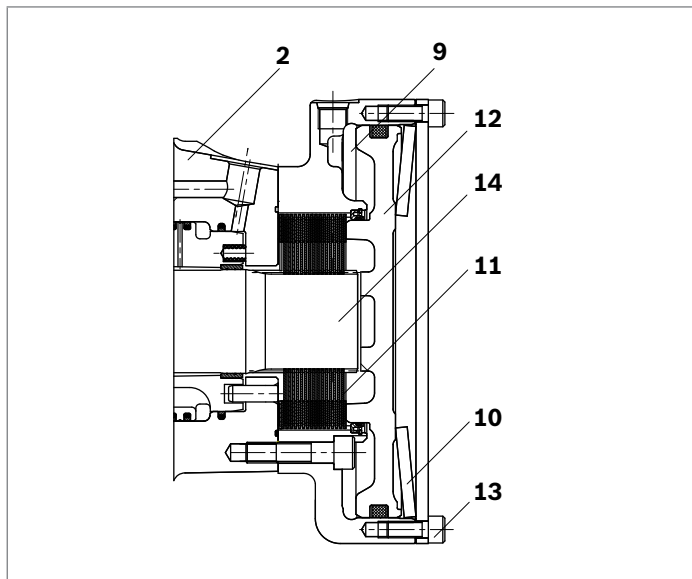
Notice
Brakes not for dynamic use!

Schematic diagrams



Manual release of holding brake

The brake may also be released manually by loosening screws (13).

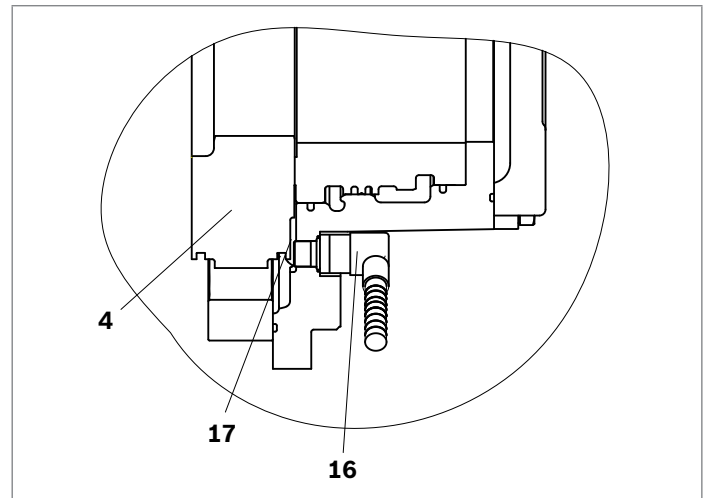


Speed sensor

A Hall-effect speed sensor (16) may be fitted as an option, giving a two-channel output of phase-displaced square waves, and enabling detection of speed and direction. A toothed target disc (17) is fitted to the motor cylinder block (4), and the sensor, fitted to a port in the rear case, produces a pulse on each channel as each tooth passes in front of it. The frequency of the pulses is proportional to the rotational speed.

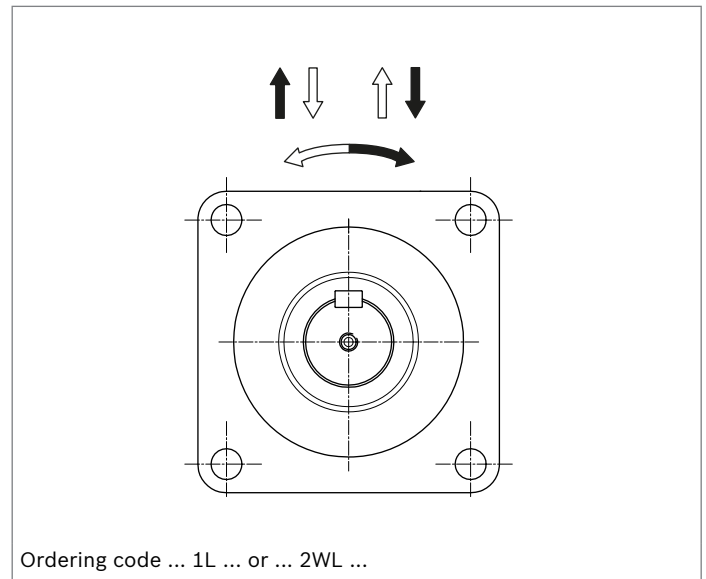
Versions are available for use with regulated supplies 10 V (Code P1) and for direct connection to a 12 V or 24 V unregulated supply (Code P2).

The motor can also be supplied fitted with a target disc and with a speed sensor port machined, but covered and sealed with a blanking plate (Code P0). These “sensor-ready” motors may be fitted with a sensor at a later date.



Direction of shaft rotation with flow

(viewed from drive shaft)



Ordering code

01	02	03	04	05	06	07	08	09	10	11	12	13	14	15	16
MCR					Z	/	33								

Radial piston motor

01	Radial-piston type, low-speed, high-torque motor	MCR
----	--	------------

Frame size

		MCR-D	MCR-E	
02	Frame size 3	●	-	3
	5	●	●	5
	10	●	-	10

Housing type

03	Front case square mounting flange - SAE 4 off holes	D
	Front case mounting - 4 off M16 tapped holes	E

Nominal size, displacement V_g in cm^3/rev

04	Frame size 3 (only for MCR-D)		160	225	255	280	325	365	400	
	Low displacement: motors use standard cylindrical pistons	LD	●	●	●	●	-	-	-	
	High displacement: motors use stepped pistons	HD	-	-	-	-	●	●	●	
	Frame size 5		380	470	520	565	620	680	750	820
	Low displacement: motors use standard cylindrical pistons	LD	●	●	●	●	-	-	-	-
	High displacement: motors use stepped pistons	HD	-	-	-	-	●	●	●	●
	Frame size 10 (only for MCR-D)		780	860	940	1120	1250	1340		
	Low displacement: motors use standard cylindrical pistons	LD	●	●	●	-	-	-		
	High displacement: motors use stepped pistons	HD	-	-	-	●	●	●		

Drive shaft

05	Parallel keyed shaft	\varnothing 40 mm only for MCR3D	L40
		\varnothing 50 mm available for MCR5D and MCR5E	L50
		\varnothing 60 mm only for MCR10D	L60

Through shaft

06	Without through shaft	Z
----	-----------------------	----------

Series

07	Series 33	33
----	-----------	-----------

Brake

		MCR3	MCR5	MCR10	
08	Without brake	●	●	●	A0
	Hydraulic release spring applied multi-disc holding brake	2200 Nm	●	-	B2
		4400 Nm	-	●	B4
		7000 Nm	-	-	●

Seals

09	NBR (nitrile rubber)	M
	FKM (fluoroelastomer / Viton)	V

Single/two-speed operation

10	Single speed, standard direction of rotation	1L
	Bi-directional two speed, standard direction of rotation	2WL

Ports

11	Tapped with UNF thread (SAE J514)	12
	Tapped with UNF thread (SAE J514) (A and B ports SAE split flange metric bolt holes)	42

● = Available - = Not available

6 **MCR-D and MCR-E** | Radial piston motors for industrial applications
Ordering code

01	02	03	04	05	06	07	08	09	10	11	12	13	14	15	16
MCR					Z	/	33								

Studs

12	Without studs (no code)	
----	-------------------------	--

Speed sensor

13	Without sensor (no code)	
	Sensor ready	P0
	Sensor without regulator	P1
	Sensor with regulator	P2

Flushing

14	Without flushing (no code)	
	With flushing (see table on page 3)	F1-F8

Special order

15	Special feature	SOXXX
----	-----------------	--------------

Other

16	Mark in text here	*
----	-------------------	----------

Footer from page 7

- 1) Not available for E-Type
- 2) Ensure motor case is filled with oil prior to start-up. See instruction manual 15215-B.
- 3) For installation and maintenance details, please see instruction manual 15215-B.
- 4) For any other fluid type contact the Engineering Department at Bosch Rexroth, Glenrothes. For more information on hydraulic fluids, see datasheets 90220 and 90223.
- 5) Extension of the allowable temperature range may be possible depending on specification. Please consult Bosch Rexroth Engineering Department in Glenrothes for further details.
- 6) Maximum values should only be applied for a small portion of the duty cycle. Please consult Bosch Rexroth Engineering Department in Glenrothes for motor life calculations based on particular operating cases.
- 7) When operating motors in series, please consult Bosch Rexroth Engineering Department in Glenrothes.
- 8) For continuous operation at speeds <5 rpm please consult Bosch Rexroth Engineering Department in Glenrothes.
- 9) Based on nominal no-load Δp of 20 bar in full-displacement mode.
- 10) Warning! During the running in period of the motor (min. 20 hrs) it should not be run unloaded at >100 rpm.
- 11) Guide values for up to 5000 hours of motor operation (ISO VG46 at 50 °C).
- 12) Maximum pressure is restricted according to maximum torque

Notice

- ▶ Motor performance values are based on theoretical calculations.
 - ▶ Efficiencies are not taken into consideration for theoretical calculations.
 - ▶ Brake torque accounts for tolerances. Values are based when used with standard mineral oil (HLP).
- Please refer the related foot notes for more details.

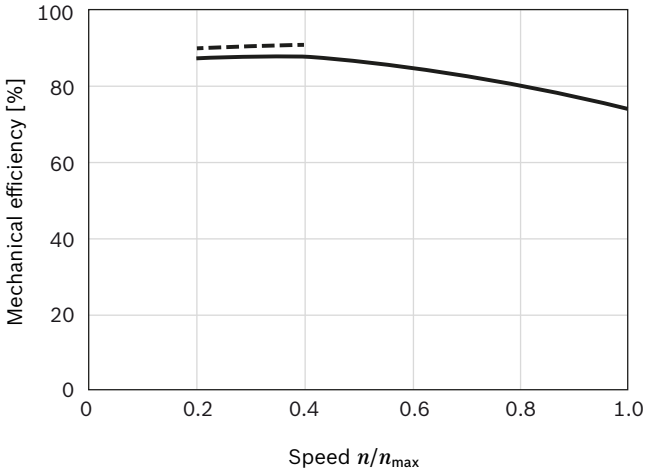
Technical data

Frame size			MCR3 ¹⁾	MCR5	MCR10 ¹⁾					
Type of mounting			Flange mounting, face mounting							
Pipe connections ²⁾³⁾			Threaded per SAE J514; Flanged per SAE J518							
Shaft loading			see page 9							
Weight			MCR3D	MCR5D	MCR5E	MCR10D				
Single speed (1L)	<i>m</i>	kg	21	39	36	62				
Two speed (2WL)	<i>m</i>	kg	27	47	44	67				
Hydraulic fluid ⁴⁾			Mineral oil type HLP/HLVP to DIN 51524							
Fluid cleanliness			ISO 4406, Class 20/18/15							
Fluid viscosity range	<i>v</i> _{min/max}	mm ² /s	10 to 2000							
Fluid temperature range ⁵⁾	<i>θ</i> _{min/max}	°C	-20 to +85							
Pressure			Low displacement				High displacement			
Maximum differential pressure ⁶⁾⁷⁾	Δp_{\max}	bar	450				400			
Maximum pressure at port A or B ⁶⁾⁷⁾	<i>p</i> _{max}	bar	470				420			
Maximum case drain pressure	<i>p</i> _{case max}	bar	10				10			
Motor performance MCR3										
Displacement	<i>V</i> _g	cm ³ /rev	160	225	255	280	325	365	400	
Specific torque		Nm/bar	3	4	4	4	5	6	6	
Maximum torque ⁶⁾¹²⁾	<i>T</i> _{max}	Nm	1146	1500	1500	1500	1500	1500	1500	
Minimum speed for smooth running ⁸⁾	<i>n</i> _{min}	rpm	0.5	0.5	0.5	0.5	0.5	0.5	0.5	
Maximum speed (1L) ⁹⁾¹⁰⁾	<i>n</i> _{max}	rpm	670	475	420	385	330	295	270	
Maximum speed (2WL) ⁹⁾¹⁰⁾	<i>n</i> _{max}	rpm	875	620	550	500	430	385	350	
Motor performance MCR5										
Displacement	<i>V</i> _g	cm ³ /rev	380	470	520	565	620	680	750	820
Specific torque		Nm/bar	6	7	8	9	10	11	12	13
Maximum torque ⁶⁾¹²⁾	<i>T</i> _{max}	Nm	2722	3000	3000	3000	3000	3000	3000	3000
Minimum speed for smooth running ⁸⁾	<i>n</i> _{min}	rpm	0.5	0.5	0.5	0.5	0.5	0.5	0.5	0.5
Maximum speed (1L) ⁹⁾¹⁰⁾	<i>n</i> _{max}	rpm	475	385	350	320	290	265	240	220
Maximum speed (2WL) ⁹⁾¹⁰⁾	<i>n</i> _{max}	rpm	570	465	420	385	350	320	290	265
Motor performance MCR10										
Displacement	<i>V</i> _g	cm ³ /rev	780	860	940		1120	1250	1340	
Specific torque		Nm/bar	12	14	15		18	20	21	
Maximum torque ⁶⁾¹²⁾	<i>T</i> _{max}	Nm	4800	4800	4800		4800	4800	4800	
Minimum speed for smooth running ⁸⁾	<i>n</i> _{min}	rpm	0.5	0.5	0.5		0.5	0.5	0.5	
Maximum speed (1L and 2WL) ⁹⁾¹⁰⁾	<i>n</i> _{max}	rpm	215	195	180		150	135	125	
Brake			MCR3D	MCR5D, MCR5E		MCR5D, MCR5E		MCR10D		
Holding brake (disc brake)			B2	B2		B4		B7		
Minimum holding torque	<i>t</i> _{min/max}	Nm	2200	2200		4400		7000		
Release pressure (min)	<i>p</i> _{rel min}	bar	11	11		11		11		
Release pressure (max)	<i>p</i> _{rel max}	bar	15	15		15		15		
Maximum pressure at brake port „Z“	<i>p</i> _{max}	bar	40	40		40		30		
Oil volume to operate brake	<i>V</i> _{rel}	cm ³	23	23		46		36		

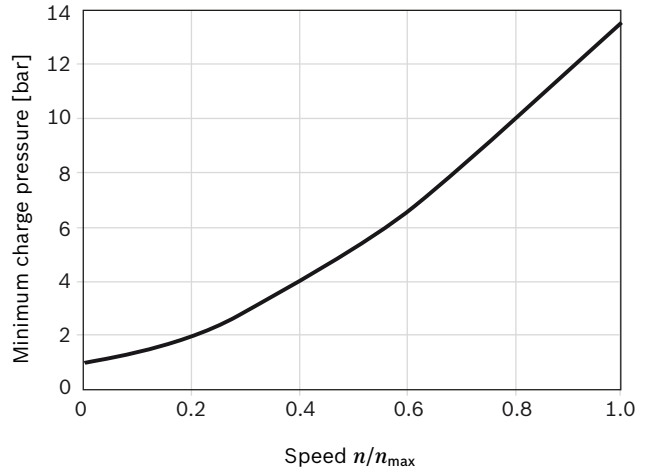
Footer on page 6

Efficiencies

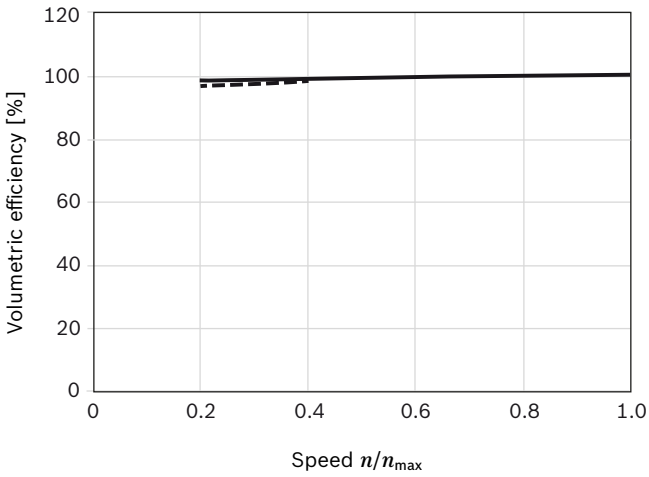
▼ Mechanical efficiency



▼ Charge pressure



▼ Volumetric efficiency



— 100 bar / 1450 psi
- - - 300 bar / 4350 psi

Notice

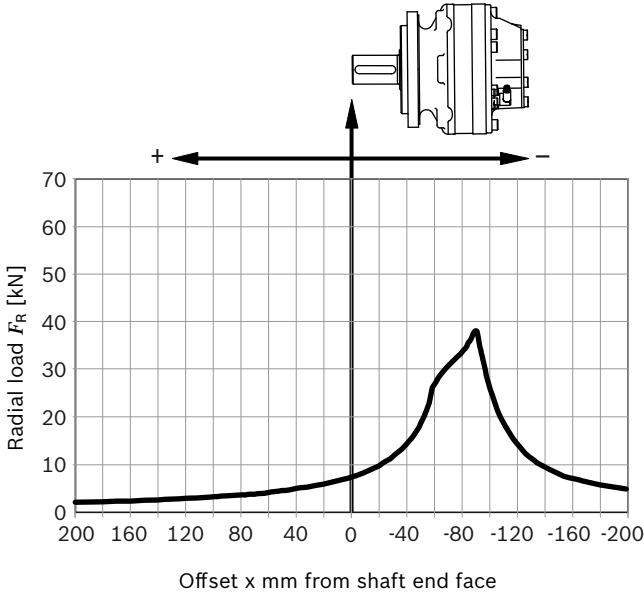
For specific performance information or operating conditions contact the Engineering Department at Bosch Rexroth, Glenrothes.

Permitted loading on drive shaft

(Speed $n = 50$ rpm, pressure differential $\Delta p = 250$ bar, 2000 hrs L10 life at 50 °C)

Drive shaft ...3D L40...

Maximum radial load $F_{R \max}$ (with axial load $F_{ax} = 0$)



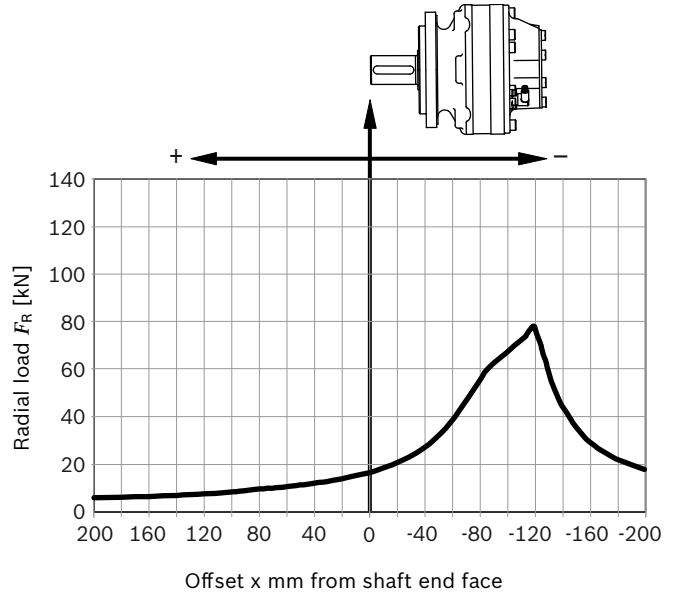
Maximum axial load $F_{ax \max}$ (with radial load $F_R = 0$):

$$F_{ax \max} = 30200 \text{ N} \leftarrow +$$

$$F_{ax \max} = 27000 \text{ N} \rightarrow -$$

Drive shaft ...10D L60...

Maximum radial load $F_{R \max}$ (with axial load $F_{ax} = 0$)



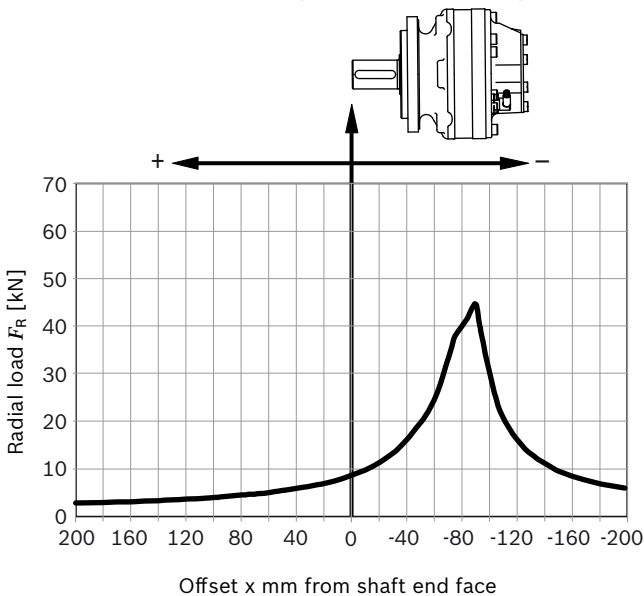
Maximum axial load $F_{ax \max}$ (with radial load $F_R = 0$):

$$F_{ax \max} = 78700 \text{ N} \leftarrow +$$

$$F_{ax \max} = 63400 \text{ N} \rightarrow -$$

Drive shaft ...5D L50...5E L50...

Maximum radial load $F_{R \max}$ (with axial load $F_{ax} = 0$)



Maximum axial load $F_{ax \max}$ (with radial load $F_R = 0$):

$$F_{ax \max} = 50000 \text{ N} \leftarrow +$$

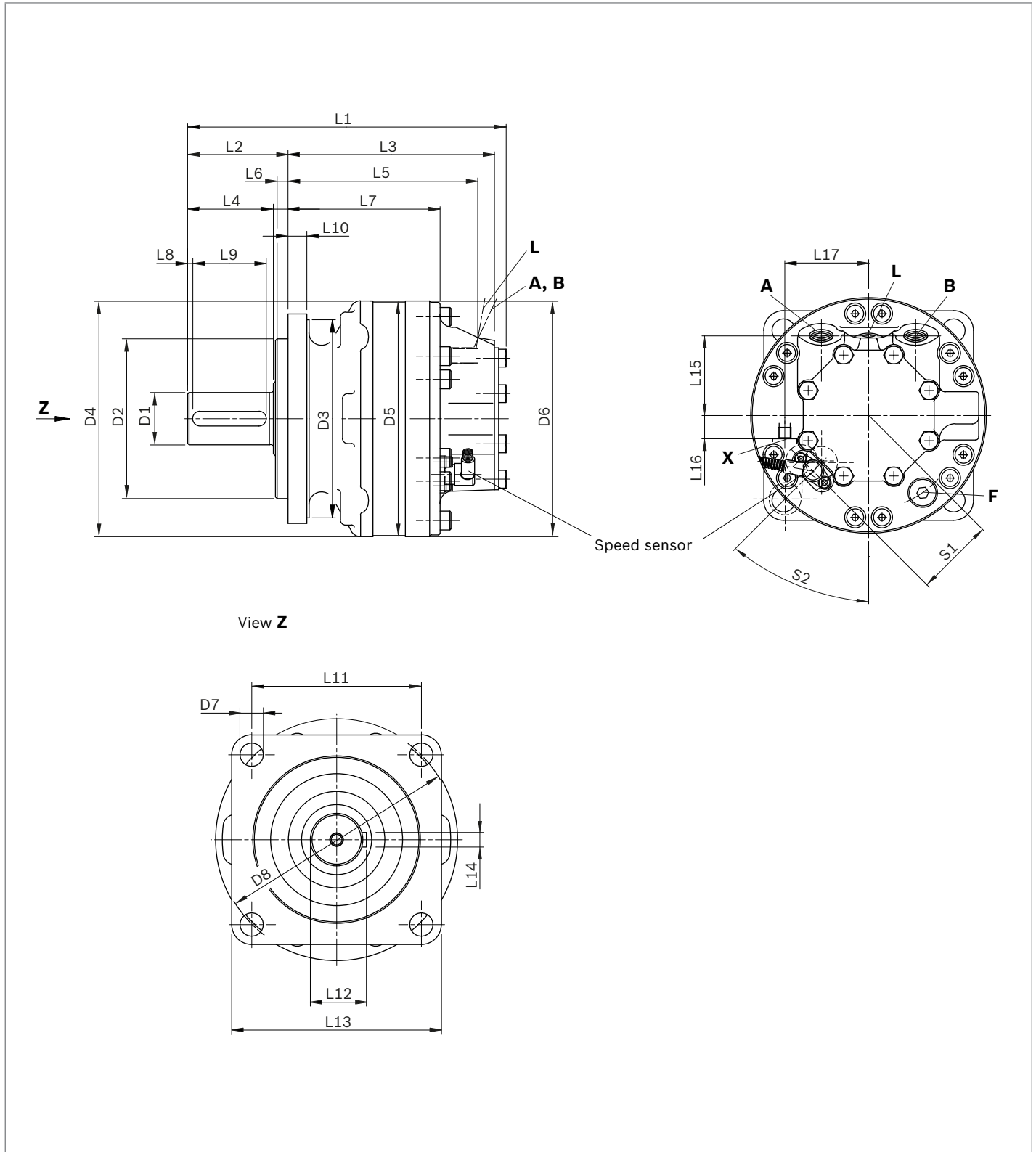
$$F_{ax \max} = 32000 \text{ N} \rightarrow -$$

Notice

- ▶ These values and graphs are for initial guidance only
- ▶ For actual motor life calculations under typical or specified duty cycles, contact the Engineering Department at Bosch Rexroth, Glenrothes.

Dimensions

MCR-D



Before finalizing your design, request a binding installation drawing.

Single speed (1L)

Motor	D1	D2	D3	D4	D5	D6	D7	D8	L1	L2	L3	L4	L5	L6
MCR3	ø40	ø125	ø134	-	ø180	-	ø14	ø160	281.3	114.4	167	84.5	133	9
MCR5	ø50	ø152.4	ø189	ø225	ø223	ø225	ø22	ø229	304	96	197	82	181	10.5
MCR10	ø60	ø152.4	ø189	ø264	ø262	ø262	ø20.5	ø229	407	123	259	105	223	10.5

Motor	L7	L8	L9	L10	L11	L12	L13	L14	L15	S1	S2
MCR3	112	5	70	14	113	43	140	12	66.5	63.5	90°
MCR5	145	5	70	18	162	53.5	200	14	76	75	45°
MCR10	182	6	80	19	162	64	200	18	98	89	45°

Two speed (2WL)

Motor	D1	D2	D3	D4	D5	D6	D7	D8	L1	L2	L3	L4	L5	L6
MCR3	ø40	-	ø134	-	ø180	-	ø14	ø160	341	114.4	226.7	84.5	105.7	9
MCR5	ø50	ø152.4	ø189	ø225	ø223	ø225	ø22	ø229	343	96	237	82	159	10.5
MCR10	ø60	ø152.4	ø189	ø264	ø262	ø262	ø20.5	ø229	432	123	283.5	105	247.5	10.5

Motor	L7	L8	L9	L10	L11	L12	L13	L14	L15	L16	L17	S1	S2
MCR3	112	5	70	14	113	43	140	12	67.5	26	65	63.5	30°
MCR5	-	5	70	18	162	53.5	200	14	105	23.5	78	75	45°
MCR10	180.5	5	80	19	162	64	200	18	88	25	107	89	45°

Ports

Motor	Designation	Port function	Code	Size	p_{max} [bar]	State ²⁾
MCR3	A, B	Inlet, outlet	SAE J514	7/8-14 UNF ⁴⁾ 1 1/16-12 UNF ⁵⁾	470/420 ¹⁾	O
	L	Case drain	SAE J514	9/16-18 UNF	10	O
	F	Filler port	SAE J514	3/4-16 UNF	10	X
	X	2 speed port	SAE J514	9/16-18 UNF	35	O
MCR5	A, B	Inlet, outlet	SAE J514	1 1/16-12 UNF	470/420 ¹⁾	O
	L	Case drain	SAE J514	3/4-16 UNF	10	O
	F	Filler port	SAE J514	3/4-16 UNF	10	X
	X	2 speed port	SAE J514	9/16-18 UNF	35	O
MCR10	A, B	Inlet, outlet	SAE J518 ³⁾	3/4 in	470/420 ¹⁾	O
	L	Case drain	SAE J514	3/4-16 UNF	10	O
	F	Filler port	SAE J514	3/4-16 UNF	10	X
	X	2 speed port	SAE J514	9/16-18 UNF	35	O

1) Depends on nominal size

2) O = Must be connected (plugged on delivery)

X = Plugged (in normal operation)

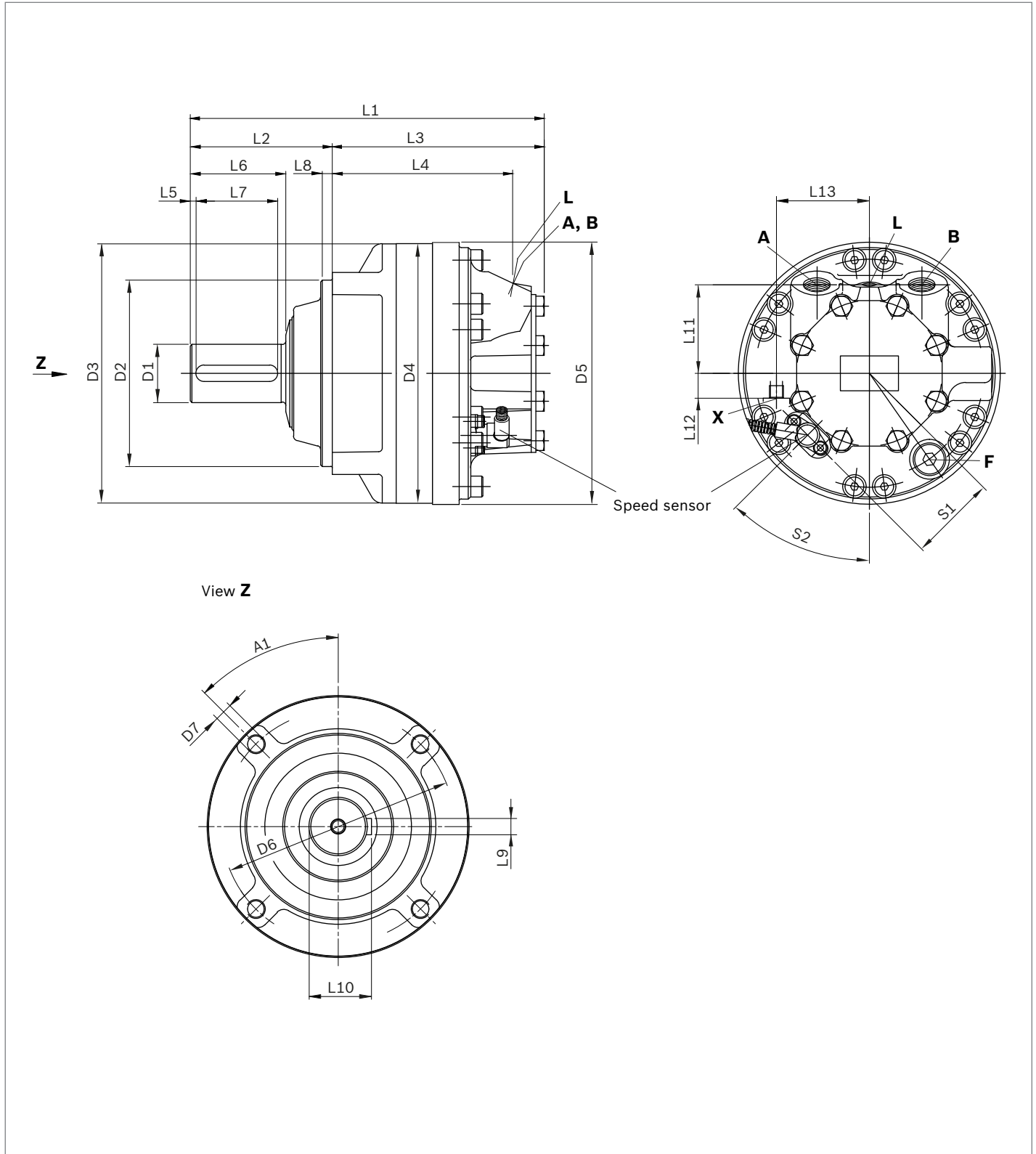
3) Only dimensions according to SAE J518

(Code 62 - high pressure series)

4) Valid for MCR3 single speed

5) Valid for MCR3 two speed

MCR-E



Before finalizing your design, request a binding installation drawing.

Single speed (1L)

Motor	D1	D2	D3	D4	D5	D6	D7	L1	L2	L3	L4	L5
MCR5	ø50	ø160	ø222.5	ø223	ø225	ø200	M16	304	122	182	155	5

Motor	L6	L7	L8	L9	L10	L11	A1	S1	S2
MCR5	82	70	8.5	14	53.45	76	45°	75	45°

Two speed (2WL)

Motor	D1	D2	D3	D4	D5	D6	D7	L1	L2	L3	L4	L5
MCR5	ø50	ø160	ø222.5	ø223	ø225	ø200	M16	343	122	221	134.4	5

Motor	L6	L7	L8	L9	L10	L11	L12	L13	A1	S1	S2
MCR5	82	70	8.5	14	53.45	76	23.5	78	45°	75	45°

Ports

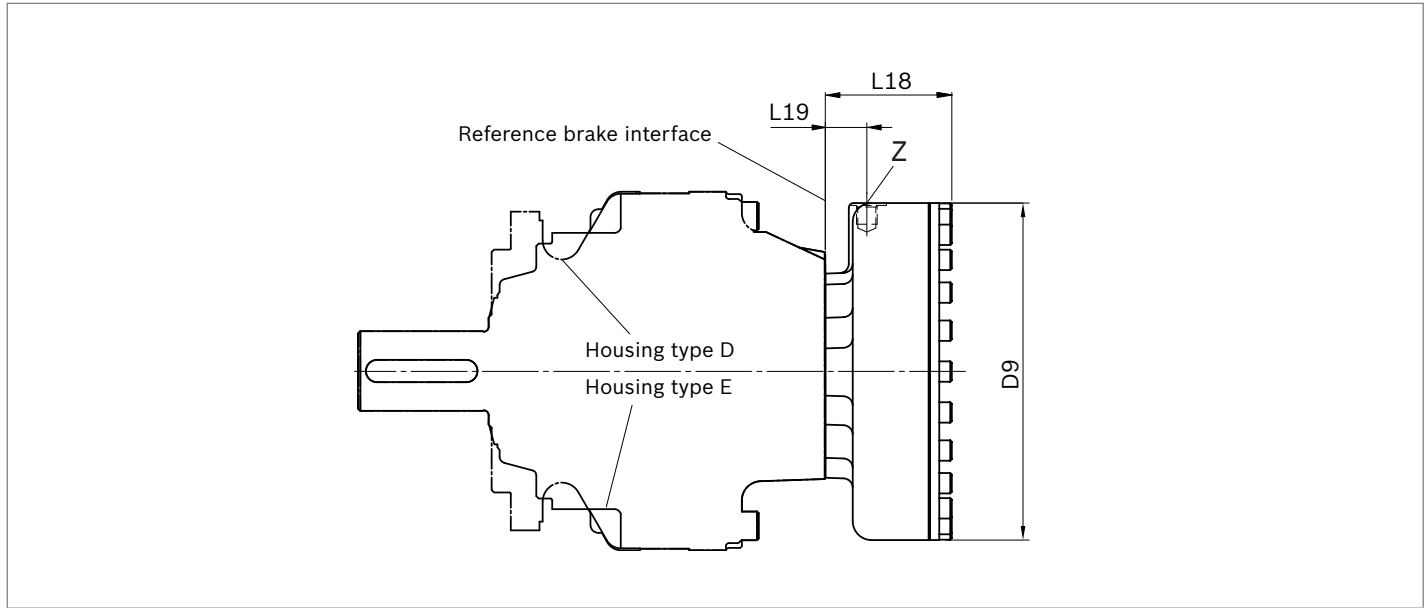
Motor	Designation	Port function	Code	Size	p_{max} [bar]	State ²⁾
MCR5	A, B	Inlet, outlet	SAE J514	1 1/16-12 UNF	470/420 ¹⁾	O
	L	Case drain	SAE J514	3/4-16 UNF	10	O
	F	Filler port	SAE J514	3/4-16 UNF	10	X
	X	2 speed port	SAE J514	9/16-18 UNF	35	O

1) Depends on nominal size

2) O = Must be connected (plugged on delivery)
X = Plugged (in normal operation)

3) Only dimensions according to SAE J518
(Code 62 - high pressure series)

Holding brake (multi-disc brake)



Motor	Brake	L18	L19	D9
MCR3	B2	67.3	22	ø174
MCR5	B2	67.3	22	ø174
	B4	80.7	26.5	ø215
MCR10	B7	97.8	29	ø251

Motor	Designation	Port function	Code	Size	p_{max} [bar]	State ¹⁾
MCR3	Z	Brake port	SAE J515	9/16-18 SAE	40	O
MCR5	Z	Brake port	SAE J515	9/16-18 SAE	40	O
MCR10	Z	Brake port	SAE J515	9/16-18 SAE	30	O

1) ~~Disconnected~~ (plugged on delivery)











Before finalizing your design, request a binding installation drawing.



Siège Social Douala - Cameroun B.P. 12591 Douala
 contact@2comappro.com
 Tél : + 237 233 424 913
 et + 237 674 472 158

www.2comappro.com

Selection guide

Data sheet	Motor type Application		Frame size					
			3 160..400 cc	5 380..820 cc	6 820..920 cc	10 780..1340 cc	15 1130..2150 cc	20 1750..3000 cc
15198	MCR-F Wheel drives		•	•	-	•	•	-
15200	MCR-W Heavy duty wheel drives		•	•	-	•	-	-
15195	MCR-A Frame integrated drives		•	•	-	•	•	-
15199	MCR-H Integrated drives		•	•	-	•	•	•
15221	MCR-T Track drives		-	•	•	•	-	-
15223	MCR-R Series 41 Hydraulic drive assist		-	-	-	•	-	-
15214	MCR-X Slew drives		•	•	-	-	-	-
15197	MCR-C Compact drives		-	-	-	-	-	•
15196	MCR-D Industrial applications		•	•	-	•	-	-
	MCR-E Industrial applications		-	•	-	-	-	-

Bosch Rexroth Limited
Viewfield Industrial Estate
Glenrothes, Fife
Scotland, KY6 2RD
UK
Phone +44 15 92 631 777
Telefax +44 15 92 631 936
www.boschrexroth.com

© Bosch Rexroth AG 2017. All rights reserved, also regarding any disposal, exploitation, reproduction, editing, distribution, as well as in the event of applications for industrial property rights. The data specified within only serves to describe the product. No statements concerning a certain condition or suitability for a certain application can be derived from our information. The information given does not release the user from the obligation of own judgment and verification. It must be remembered that our products are subject to a natural process of wear and aging.