

5/2-directional valve, Series LS04-AF


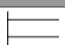




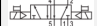

- Qn = 180-310 l/min
- pipe connection
- Compressed air connection output : Ø 4, Ø 6
- Electrical connection : Plug, M8, 3-pin
- Manual override : without detent
- single solenoid, double solenoid
- Pilot : internal



Version	Spool valve, zero overlap
Activation	electrically
Pilot	internal
Sealing principle	Soft sealing
Working pressure min./max.	See table below
Ambient temperature min./max.	-10 ... 50 °C
Medium temperature min./max.	-10 ... 50 °C
Medium	Compressed air
Max. particle size	5 µm
Oil content of compressed air	0 ... 5 mg/m ³
Nominal flow Qn	See table below
Connector standard	DIN EN 60947-5-2
Protection class acc. to DIN EN 61140, electrically	Class III
Protection class, with connection	IP65
Protective circuit	Z-diode
LED status display	Yellow
Duty cycle	100 %
Generic emission standard in accordance with	EN 61000-6-4:2002
Generic immunity standard in accordance with	IEC 61000-6-2:2005
mounting screws	M3
Mounting screw tightening torque	0,5 Nm
Weight	See table below
null	The delivered product may vary from that in the illustration.



Technical data

Part No.		MO	Compressed air connection		
			Input	Output	Exhaust
R422103561			Ø 4	Ø 4	Ø 4
R422103562			Ø 6	Ø 6	Ø 6
R422103569			Ø 4	Ø 4	Ø 4
R422103570			Ø 6	Ø 6	Ø 6

Part No.	Operating voltage	Voltage tolerance	Power consumption	Flow conductance	Flow conductance	Nominal flow Qn
	DC	DC	DC	b	C-value	
R422103561	24 V	-10% / +10%	1,3 W	0,3	0,8 l/(s*bar)	180 l/min
R422103562	24 V	-10% / +10%	1,3 W	0,27	1,5 l/(s*bar)	310 l/min

Part No.	Operating voltage	Voltage tolerance	Power consumption	Flow conductance	Flow conductance	Nominal flow Qn
	DC	DC	DC	b	C-value	
R422103569	24 V	-10% / +10%	1,3 W	0,3	0,8 l/(s*bar)	180 l/min
R422103570	24 V	-10% / +10%	1,3 W	0,27	1,5 l/(s*bar)	310 l/min

Part No.	Working pressure min./max.	Typ. switch-on time	Typ. switch-off time	Weight
R422103561	3 ... 7 bar	10 ms	22 ms	0,053 kg
R422103562	3 ... 7 bar	10 ms	22 ms	0,053 kg
R422103569	2 ... 7 bar	9 ms	9 ms	0,063 kg
R422103570	2 ... 7 bar	9 ms	9 ms	0,063 kg

Nominal flow Qn at 6 bar and $\Delta p = 1$ bar, MO = Manual override

Technical information

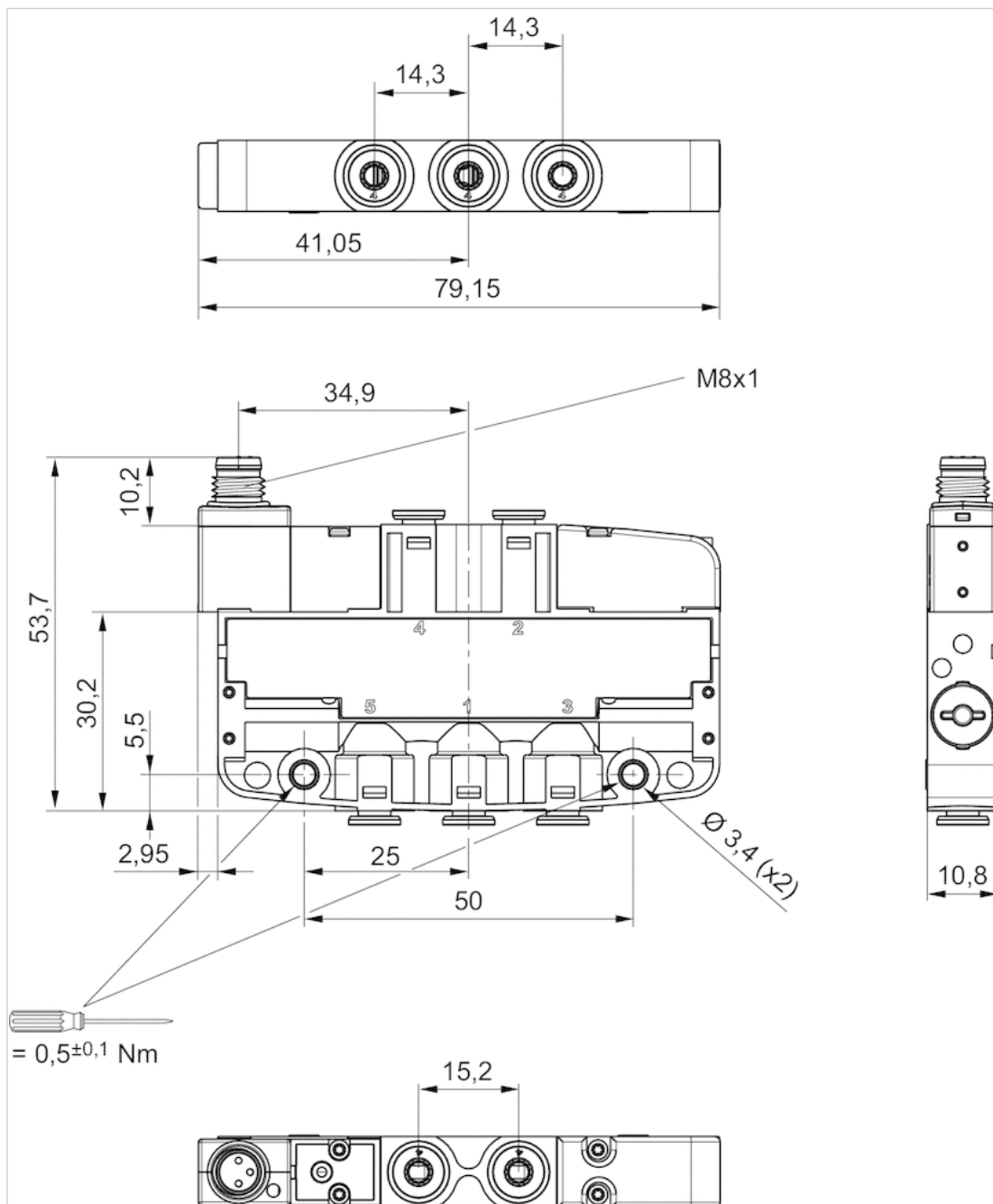
The min. control pressure must be adhered to, since otherwise faulty switching and valve failure may result!
 The pressure dew point must be at least 15 °C under ambient and medium temperature and may not exceed 3 °C .
 The oil content of compressed air must remain constant during the life cycle.
 Use only the approved oils from AVENTICS, see chapter „Technical information“.

Technical information

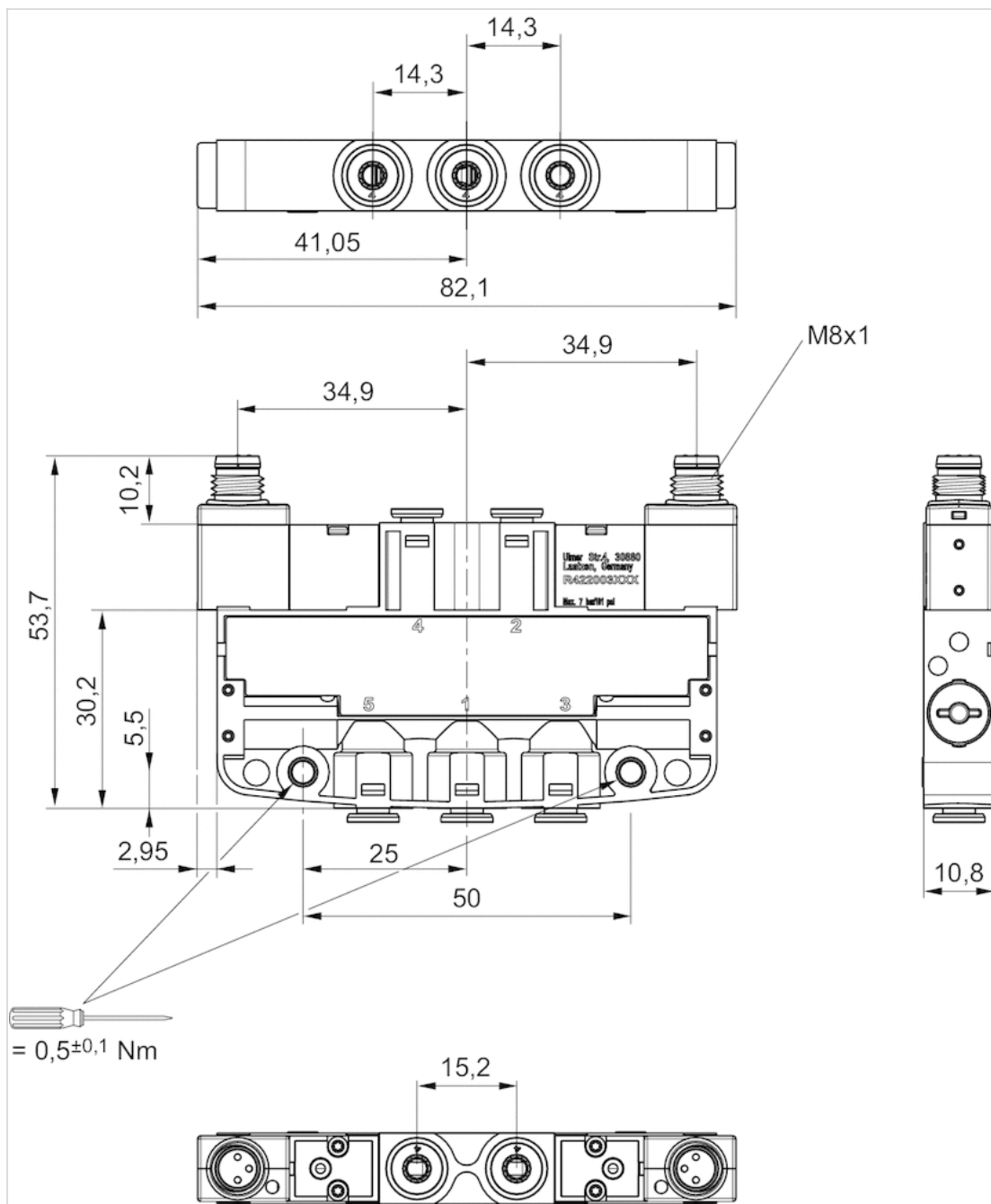
Material	
Housing	Polyoxymethylene
Seals	Acrylonitrile butadiene rubber, Hydrogenated nitrile butadiene rubber, Polyurethane

Dimensions

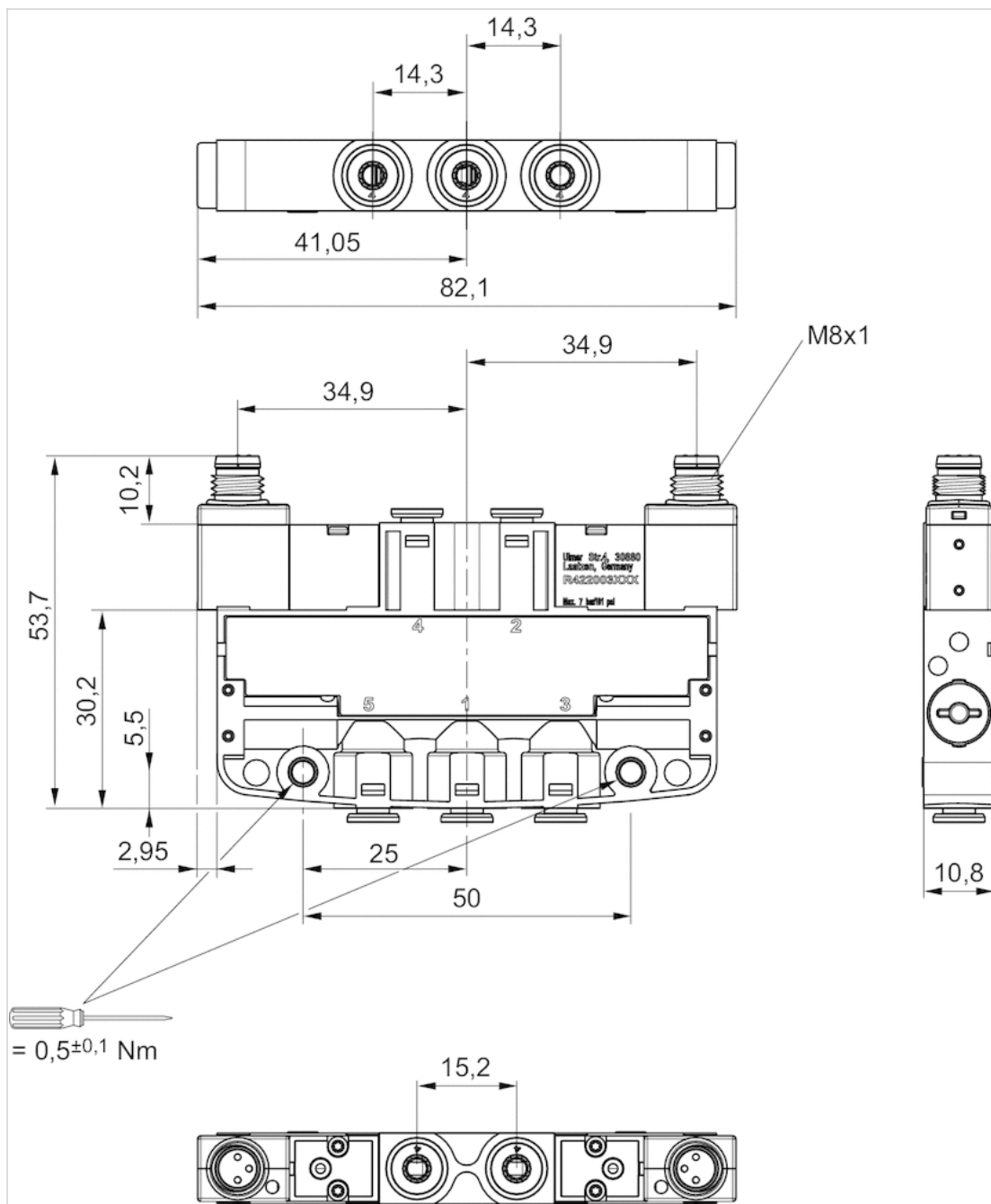
dimensions single solenoid



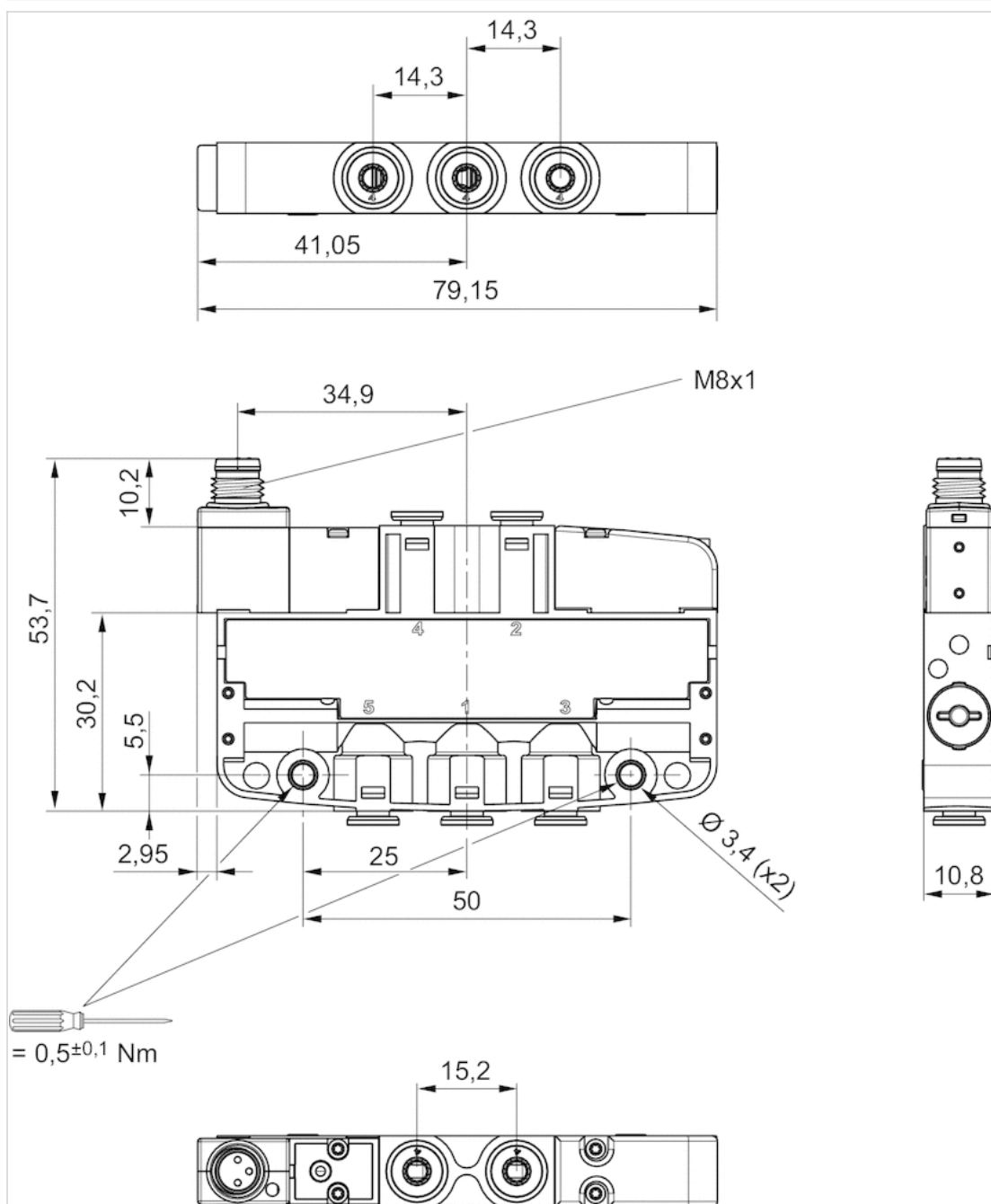
Dimensions



Dimensions

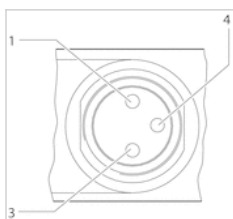


dimensions single solenoid



Pin assignments

PIN assignment for electrical connector



- 1) Pin not assigned
- 3) 0 V
- 4) 24 V

~Note: Bi-polar protective circuit to prevent overvoltage



Siège Social Douala - Cameroun B.P. 12591 Douala
 contact@2comappro.com
 Tél : + 237 233 424 913
 et + 237 674 472 158

www.2comappro.com