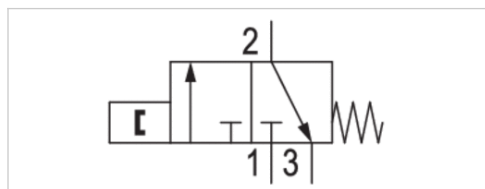


# Pneumatic sensor, Series SP1

- Qn 40 l/min
- Mounting orientation Any



Mounting orientation	Any
Working pressure min./max.	2 ... 6 bar
Ambient temperature min./max.	-15 ... 60 °C
Medium	Compressed air
Max. particle size	40 µm
Switching point precision	±0,2
Switching time on	12 ms
Switching time off	25 ms
Weight	0,015 kg



Siège Social Douala - Cameroun B.P. 12591 Douala  
 contact@2comappro.com  
 Tél : + 237 233 424 913  
 et + 237 674 472 158  
[www.2comappro.com](http://www.2comappro.com)

## Technical data

Part No.
0820212201

## Technical information

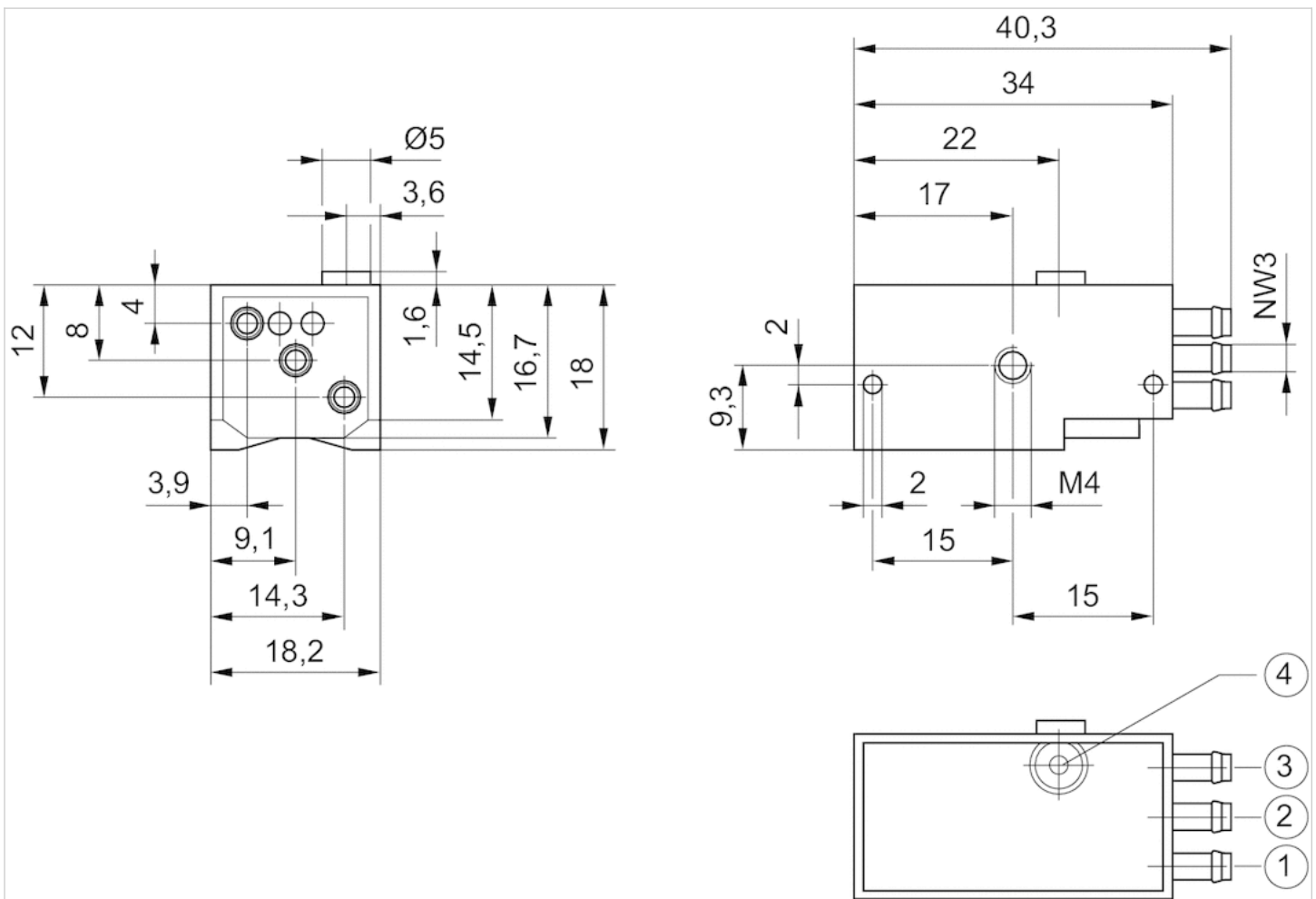
The pressure dew point must be at least 15 °C under ambient and medium temperature and may not exceed 3 °C .  
 The oil content of compressed air must remain constant during the life cycle.  
 Use only the approved oils from AVENTICS, see chapter „Technical information“.

Notice: This product may only be operated with oil-free, dry compressed air.

## Technical information

Material	
Housing	Polyamide

## Dimensions



1) compressed air connection 2) output line 3) exhaust 4) visual indicator

## Sensor mounting, Series CB1

- for series SP1

- to mount on cylinder TRB, TRR, MNI



Weight

0,015 kg

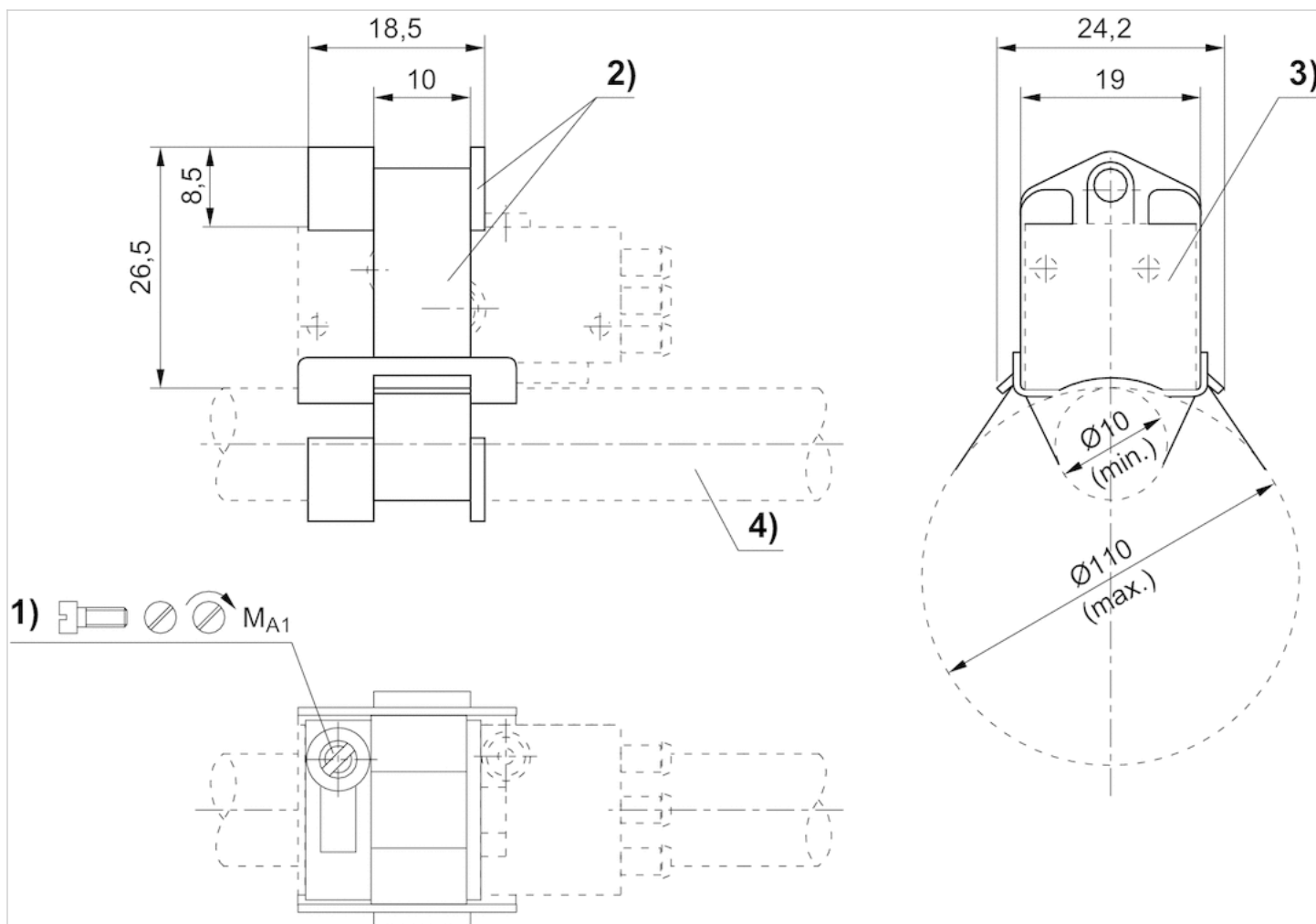
### Technical data

Part No.	Cylinders Ø min.	Cylinders Ø max.	for series
1821205002	10 mm	100 mm	SP1

### Technical information

Material
Aluminum

## Dimensions



1) Clamping screw 2) Tightening strap with bracket 3) Sensor 4) Cylinder pipe

## Dimensions

Part No.	Cylinders $\varnothing$
1821205002	10, 100 mm



Siège Social Douala - Cameroun B.P. 12591 Douala  
 contact@2comappro.com  
 Tél: + 237 233 424 913  
 et + 237 674 472 158

[www.2comappro.com](http://www.2comappro.com)