

Sensor mounting, Series CB1

- for series ST6, SN2, SN6, SN1, SM6, SM6-AL

- to mount on cylinder C12P, ITS



Weight

See table below



Technical data

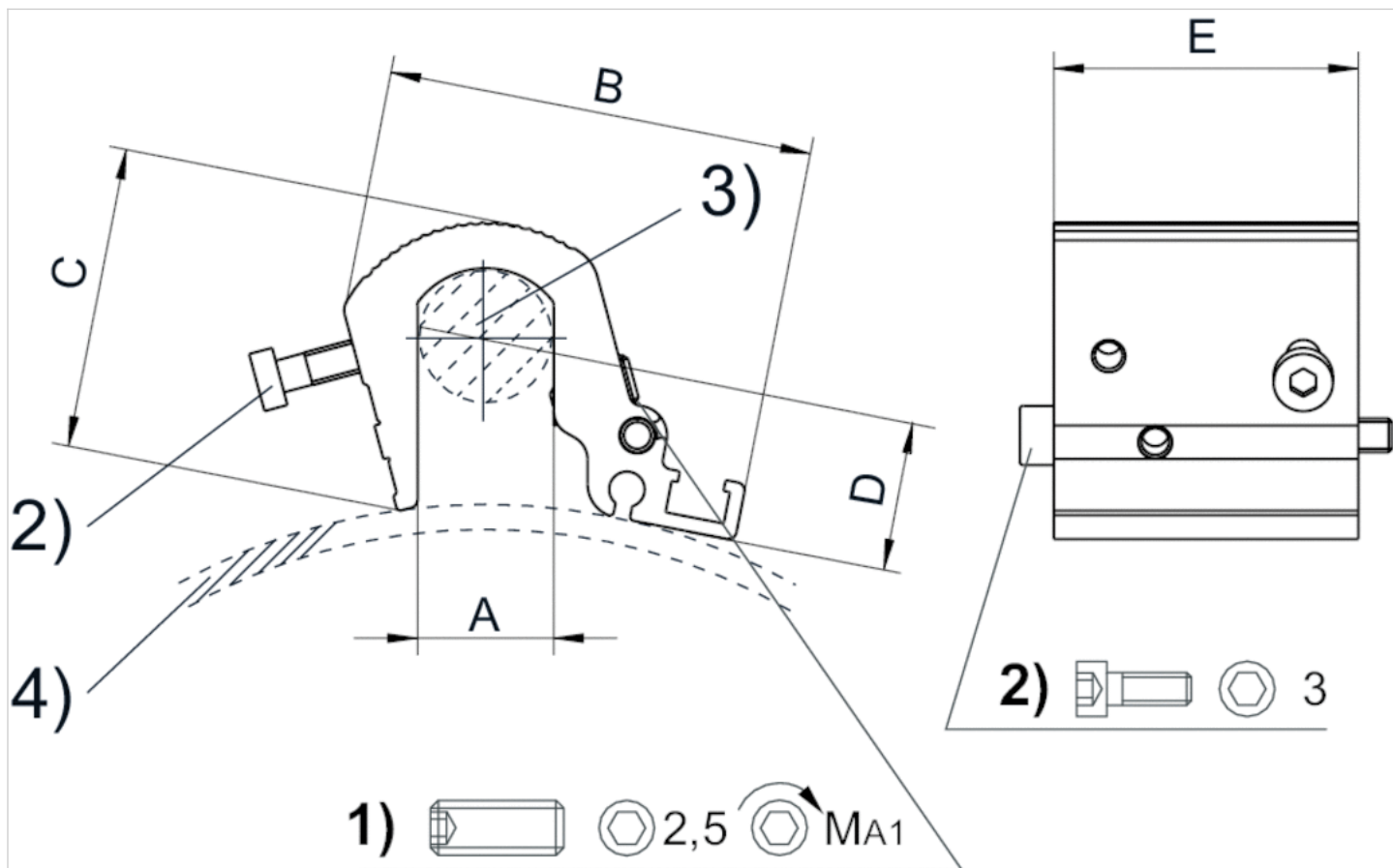
Part No.	Cylinders Ø min.	Cylinders Ø max.	for series	Weight
R412017979	160 mm	200 mm	ST6, SN2, SN6, SN1, SM6, SM6-AL	0,058 kg
R412017980	250 mm	320 mm	ST6, SN2, SN6, SN1, SM6, SM6-AL	0,073 kg

Scope of delivery: Incl. mounting screws

Technical information

Material
Aluminum

Dimensions



1) Clamping threaded pin 2) Mounting screws for sensor 3) Tie rod 4) Cylinder profile

Dimensions

Part No.	Cylinders Ø	A	B	C	D	E	MA1 [Nm]
R412017979	200 mm	16	51	36	6.8	36	2
R412017980	320 mm	24	56	44.5	6.8	36	2

Scope of delivery: Incl. mounting screws



Siège Social Douala - Cameroun B.P. 12591 Douala
 contact@2comappro.com
 Tél : + 237 233 424 913
 et + 237 674 472 158

www.2comappro.com