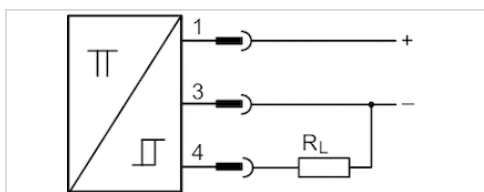


Sensor, Series SN3

- Plug, M12, 3-pin
- welding-proof



Ambient temperature min./max.	-25 ... 70 °C
Protection class	IP67, IP65
Switching point precision mT	±0,1
Nominal current, actuated state	≤ 10 mA
Quiescent current (without load)	≤ 5 mA
LED status display	Yellow
Vibration resistance	55 Hz, 1 mm
Shock resistance	30 g / 11 ms



Technical data

Part No.	Type of contact	Voltage drop U at I _{max}	DC switching current, max.	Max. switching frequency
0830100438	electronic PNP	≤ 1,8 V	0,2 A	0,02

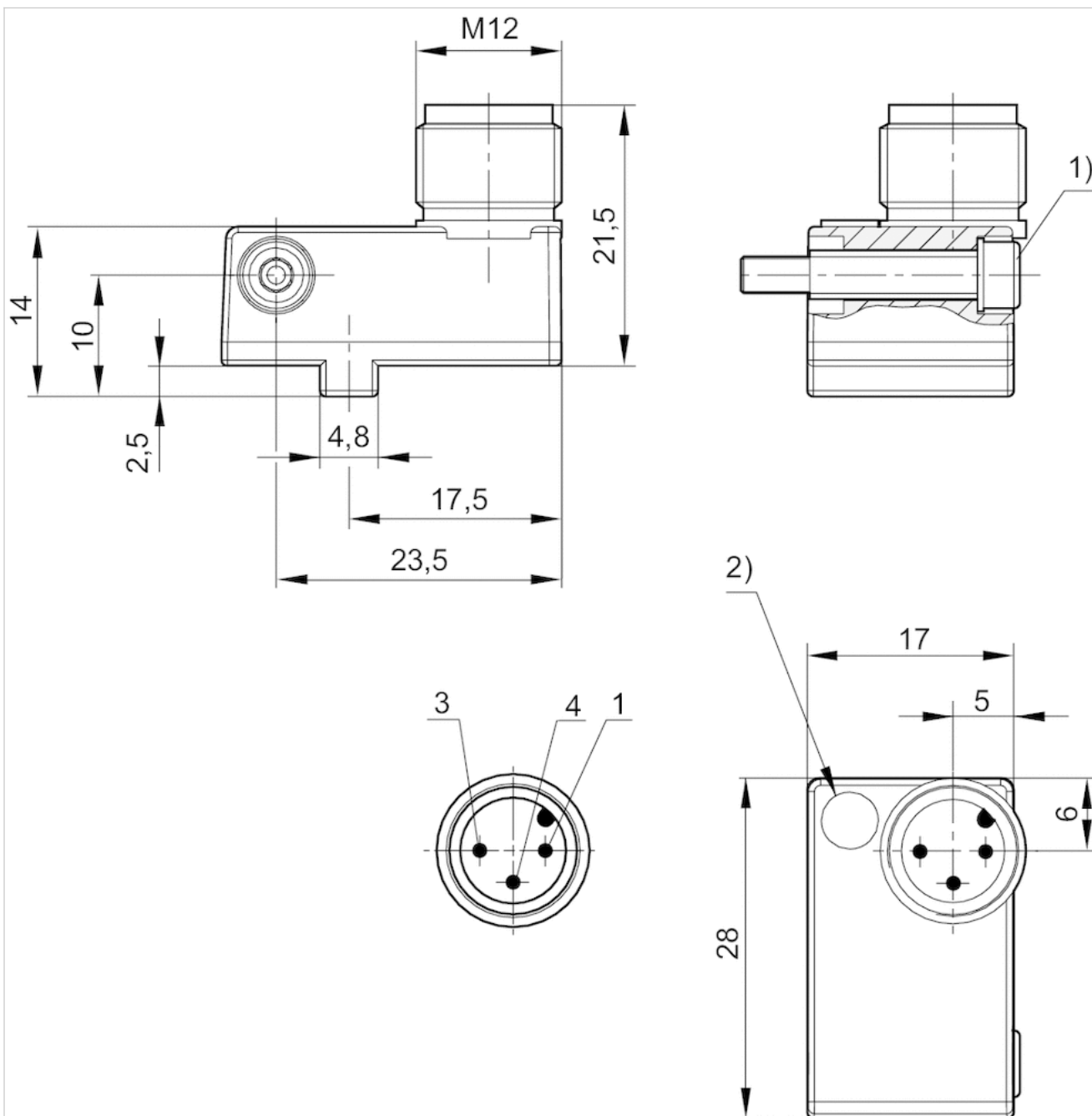
Part No.	Version	welding-proof
0830100438	short circuit resistant, Protected against polarity reversal	welding-proof

Technical information

Material	
Housing	Polyamide

Dimensions

Dimensions



1) Clamping screw 2) LEDPin assignments: 1 = (+), 3 = (-), 4 = (OUT), EN 60947-5-2:1998

Siège Social Douala - Cameroun B.P. 12591 Douala
 contact@2comappro.com
 Tél : + 237 233 424 913
 et + 237 674 472 158
www.2comappro.com