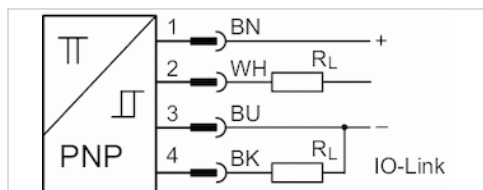


## Sensors, Series ST4-2P

- 4 mm C-slot
- number of switching points 2
- with cable
- Plug, M12x1, 4-pin, with knurled screw
- IO-Link



Certificates	cULus, RoHS
Ambient temperature min./max.	-20 ... 75 °C
Protection class	IP67
number of switching points	2
Power consumption	15 mA
Min./max. DC operating voltage	12 ... 30 V DC
Repetitive precision,max. measuring range	0,1 mT
Hysteresis	1 mT
Switching logic	NO (make contact)
LED status display	Yellow
Display	2 LED
Vibration resistance	10 - 55 Hz, 1 mm
Shock resistance	30 g / 11 ms
Mounting screw	with hexagon socket

### Technical data

Part No.	Type of contact	Cable length	Detection range max.	Voltage drop U at I <sub>max</sub>
R412023459	electronic PNP	0,3 m	50 mm	≤ 2,2 V

Part No.	Version
R412023459	Wire break protection, Short circuit resistance, Reverse polarity protection, Switch-on pulse suppression

Part No.	Mounting screw
R412023459	with hexagon socket

### Technical information

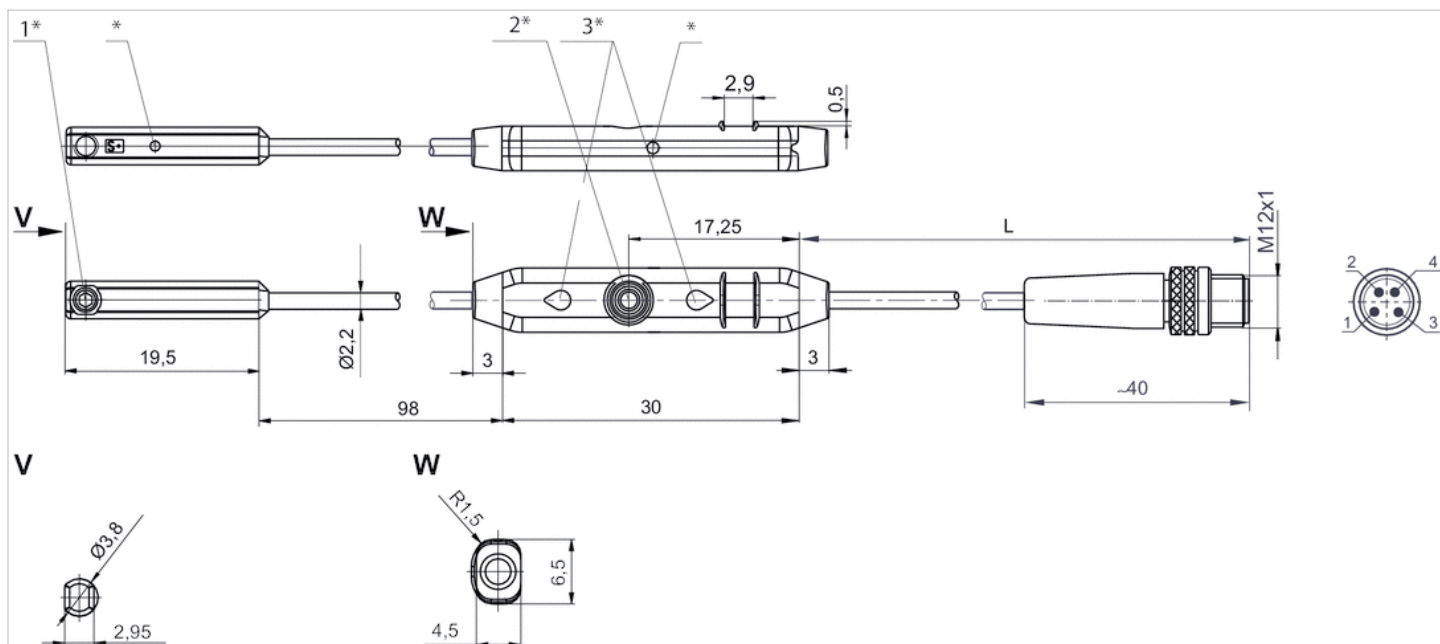
The IO-Link device description (IODD) for the ST4-2P proximity sensor is available for download in the Media Centre.

### Technical information

Material	
Housing	Polyamide
Cable sheath	Polyurethane

## Dimensions

### Dimensions



1\* = mounting screw 2\* = teach button 3\* = LED L = cable length PIN assignment: 1 = (+), 2 = (OUT), 3 = (-), 4 = (OUT) IO-Link\* Switching point

Siège Social Douala - Cameroun B.P. 12591 Douala  
 contact@2comappro.com  
 Tél : + 237 233 424 913  
 et + 237 674 472 158

[www.2comappro.com](http://www.2comappro.com)