

Check valve, pilot operated

Type Z2S

RE 21548

Edition: 2013-06

Replaces: 07.10



tb0256

- ▶ Size 6
- ▶ Component series 6X
- ▶ Maximum operating pressure 315 bar [4568 psi]
- ▶ Maximum flow 60 l/min [15.8 US gpm]



Features

- ▶ Sandwich plate valve for use in vertical stackings
- ▶ Porting pattern according to DIN 24340 form A (**without** locating hole)
- ▶ Porting pattern according to ISO 4401-03-02-0-05 and NFPA T3.5.1 R2-2002 D03 (**with** locating hole)
- ▶ For the leakage-free blocking of one or two actuator ports, optional
- ▶ Various cracking pressures, optional
- ▶ With pre-opening, optional
- ▶ Check valve installation sets available individually
- ▶ Special versions upon request

Contents

Features	1
Ordering code	2
Symbols	3
Further information	3
Function, sections	4, 5
Technical data	6
Characteristic curves	7
Unit dimensions	8
Further information	9

Ordering code

01	02	03	04	05	06	07	08	09	10
Z2S	6			-	6X	/			*

01	Check valve, sandwich plate	Z2S
----	-----------------------------	------------

02	Size 6	6
----	--------	----------

Leakage-free blocking

03	In channel A and B	-
	In channel A	A
	In channel B	B

Cracking pressure

04	1.5 bar [21.7 psi]	1
	3 bar [43.5 psi]	2
	6 bar [86.0 psi]	3

05	Component series 60 to 69 (60 to 69: Unchanged installation and connection dimensions)	6X
----	--	-----------

06	Surface without corrosion resistance ¹⁾	no code
----	--	----------------

Seal material

07	NBR seals	no code
	FKM seals	V
The selection is dependent on the operating parameters (hydraulic fluid, temperature, etc).		

Locating hole

08	Without locating hole	no code
	With locating hole	/60
	With locating hole and locking pin ISO 8752-3x8-St	/62

Special versions

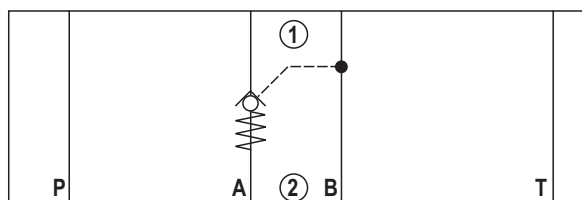
09	Without special version	no code
	Control open by external port G1/4 (only version "A" and "B")	SO40
	With pre-opening	SO55
	Control spool unloaded to port T	SO60
	With pre-opening and control open from channel P	SO150
Symbols (examples) see page 3		

10	Further details in the plain text	
----	-----------------------------------	--

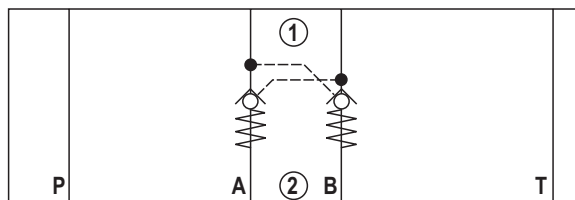
- 1) Corrosion-resistant surface upon request:
e.g. "J50" thick film passivated (DIN 50979 Fe//Zn8//Cn//TO)
- 2) Locking pin ISO 8752-3x8-St, material no. **R900005694**
(separate order)

Symbols (1) = component side, (2) = plate side)

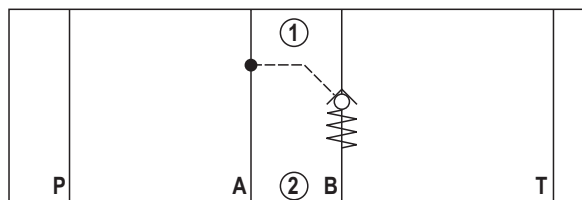
Type Z2S 6 A...



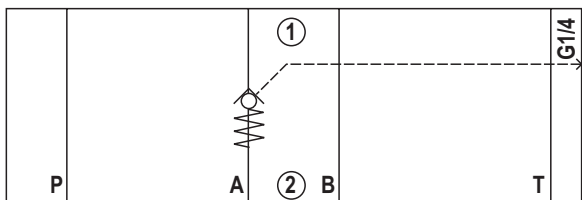
Type Z2S 6 -... and Z2S 6 -...SO55



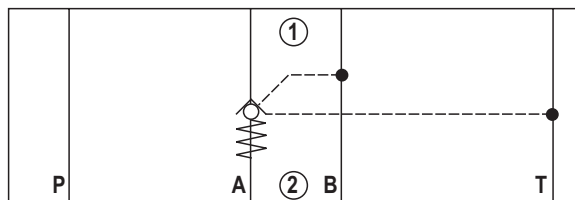
Type Z2S 6 B...



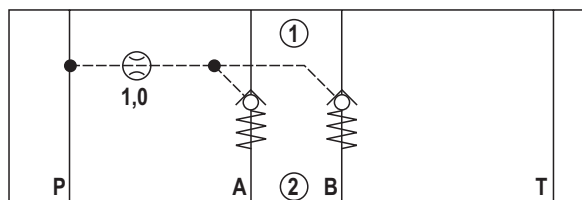
Type Z2S 6 A...SO40



Type Z2S 6 A...SO60



Type Z2S 6 -...SO150



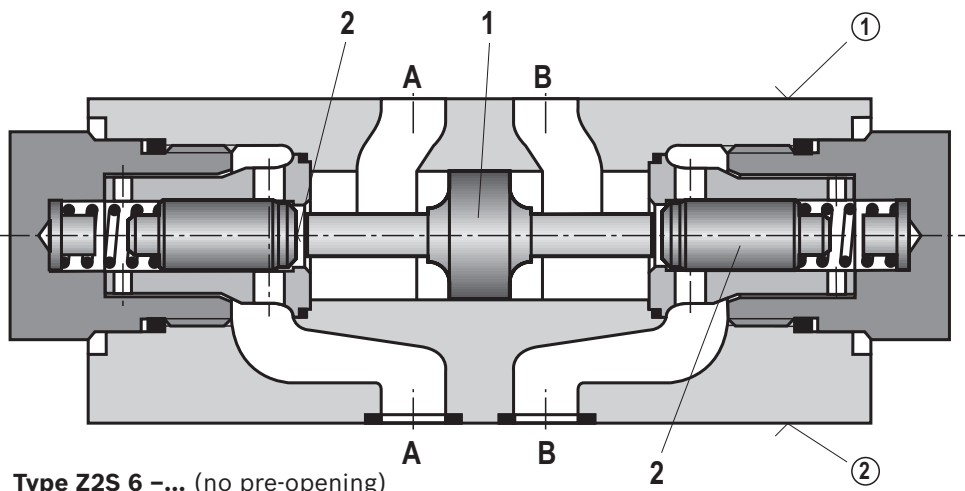
Function, sections, circuit example

The isolator valve type Z2S is a releasable check valve in sandwich plate design. It is used for the leakage-free blocking of one or two actuator ports, even for long standstill times. In direction A① to A② or B① to B②, there is a free flow; in the opposite direction, the flow is blocked. If, for example, there is a flow through the valve in direction A① to A②, control spool (1) is moved in direction B side and pushes the poppet (2) off its seat. Hydraulic fluid can now flow from B② to B①.

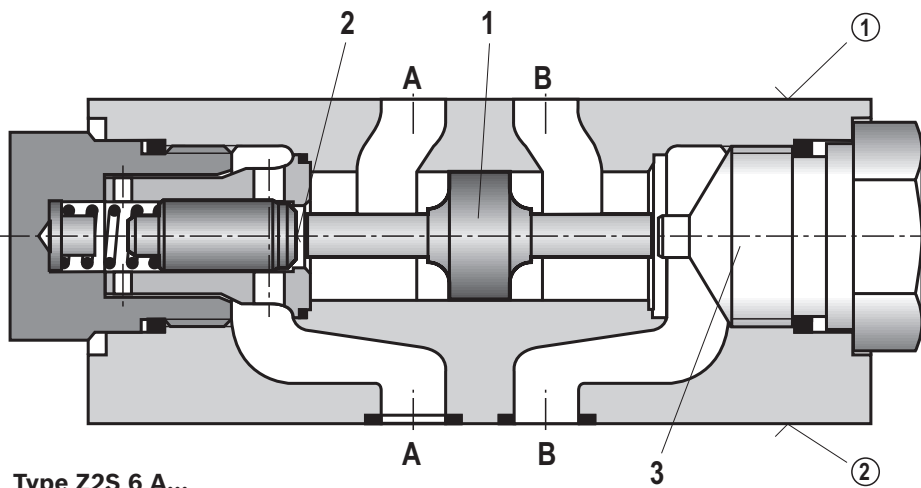
In order to allow the poppets to be safely closed (2), the control spool (1) must be hydraulically unloaded (see circuit example).

Pre-opening

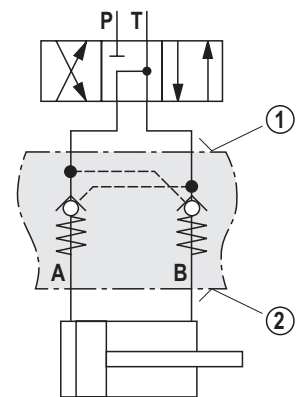
- ▶ The two-stage set-up with an increased control open ratio means even low pilot pressure can be released securely.
- ▶ Avoidance of switching shocks due to dampened decompression of the pressure volume on the actuator side.



Type Z2S 6 -... (no pre-opening)



Type Z2S 6 A...



Circuit example, schematic

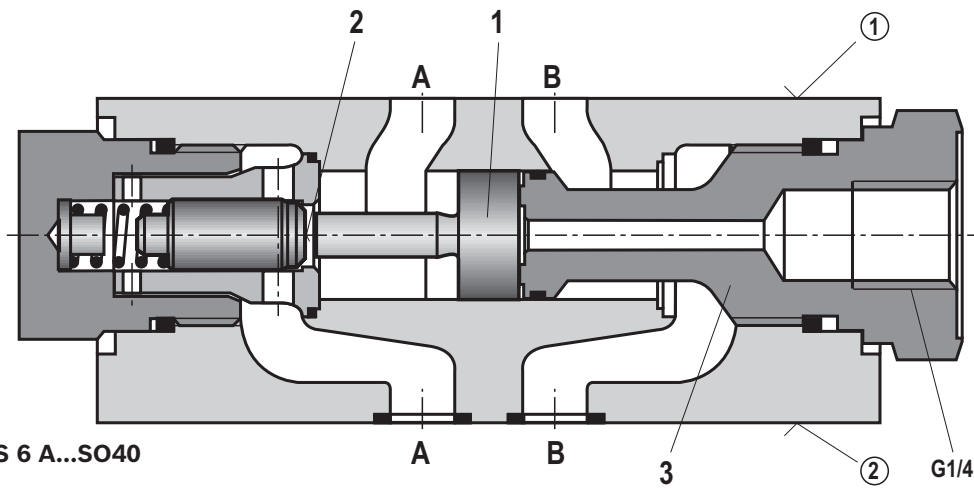
- ① = component side
- ② = plate side

- 1** Control spool, area A_2
- 2** Poppet, area A_1
- 3** Stop

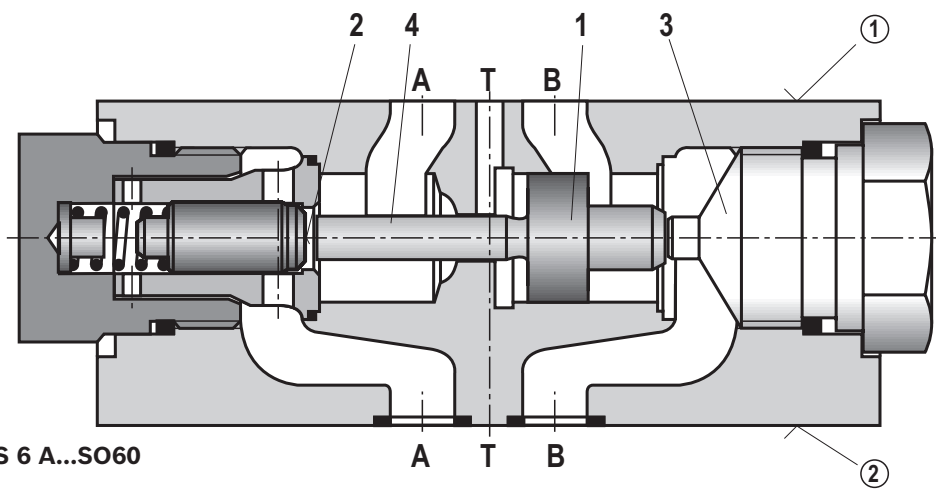
Notices!

In valves without pre-opening, sudden release of pent-up pressure volume may occur. Resulting switching shocks may lead to premature wear on installed components, as well as noise.

Function, sections

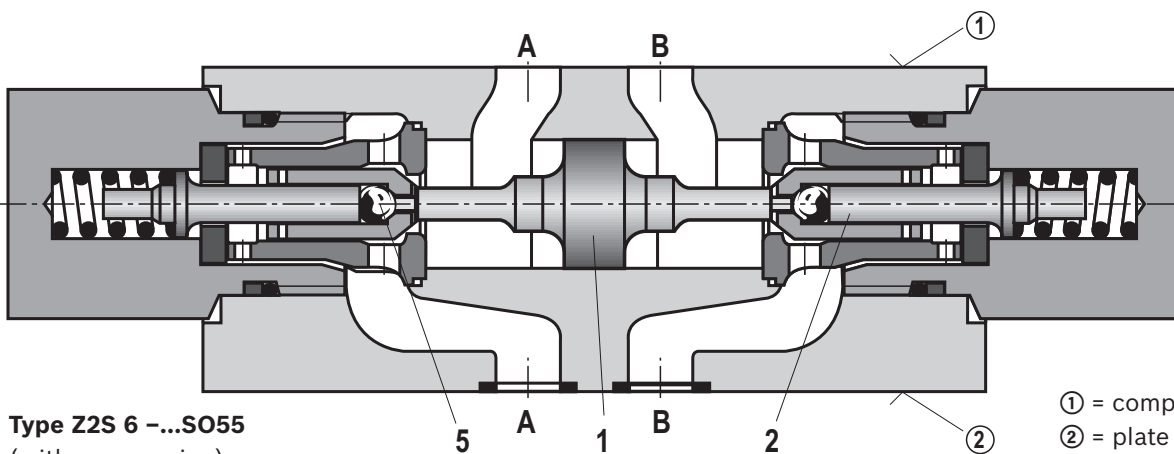


Type Z2S 6 A...SO40



Type Z2S 6 A...SO60

- 1 Control spool, area A_2
- 2 Poppet, area A_1
- 3 Stop
- 4 Control spool, area A_4
- 5 Pre-opening, area A_3



Type Z2S 6 -...SO55
(with pre-opening)

- ① = component side
- ② = plate side

Technical data

(for applications outside these parameters, please consult us!)

general		
Weight	kg [lbs]	Approx. 0.8 [1.76]
Installation position		Any
Ambient temperature range	°C [°F]	-30 ... +80 [-22 ... +176] (NBR seals) -20 ... +80 [-4 ... +176] (FKM seals)

hydraulic		
Maximum operating pressure	bar [psi]	315 [4568]
Cracking pressure in free direction		See Characteristic curves page 7
Maximum flow	l/min [US gpm]	60 [15.8]
Direction of flow		See Symbols page 3
Hydraulic fluid		See table below
Hydraulic fluid temperature range (at the valve service ports)	°C [°F]	-30 ... +80 [-22 ... +176] (NBR seals) -20 ... +80 [-4 ... +176] (FKM seals)
Viscosity range	mm ² /s [SUS]	2.8 ... 500 [35 ... 2320]
Maximum permitted degree of contamination of the hydraulic fluid – cleanliness class according to ISO 4406 (c)		Class 20/18/15 ¹⁾
Area ratio	- Without pre-opening	A ₁ /A ₂ ~ 1/3.5 (see sectional drawing page 4)
	- With pre-opening	A ₃ /A ₂ ~ 1/12.5 (see sectional drawing page 5)
	- "SO60" version	A ₁ /A ₄ ~ 1/7 (see sectional drawing page 5)

Hydraulic fluid	Classification	Suitable sealing materials	Standards
Mineral oils	HL, HLP, HLPD	NBR, FKM	DIN 51524
Bio-degradable	- insoluble in water	HETG	VDMA 24568
		HEES	
	- soluble in water	HEPG	VDMA 24568
Flame-resistant	- water-free	HFDR, HFDR	ISO 12922
	- containing water	HFC (Fuchs Hydrotherm 46M, Petrofer Ultra Safe 620)	ISO 12922

**Important information on hydraulic fluids**

- ▶ See data sheet 90220 or make an inquiry for further information and details concerning use of other hydraulic fluids.
- ▶ There may be limitations regarding the technical valve data (temperature, pressure range, life cycle, maintenance intervals, etc.)!
- ▶ The flash point of the hydraulic fluid used must be 40 K higher than the maximum solenoid surface temperature.

▶ Flame-resistant – containing water:

- Maximum operating pressure of 210 bar
- Maximum hydraulic fluid temperature of 60 °C
- Life cycle compared to operation with mineral oil HL, HLP 30 to 100 %

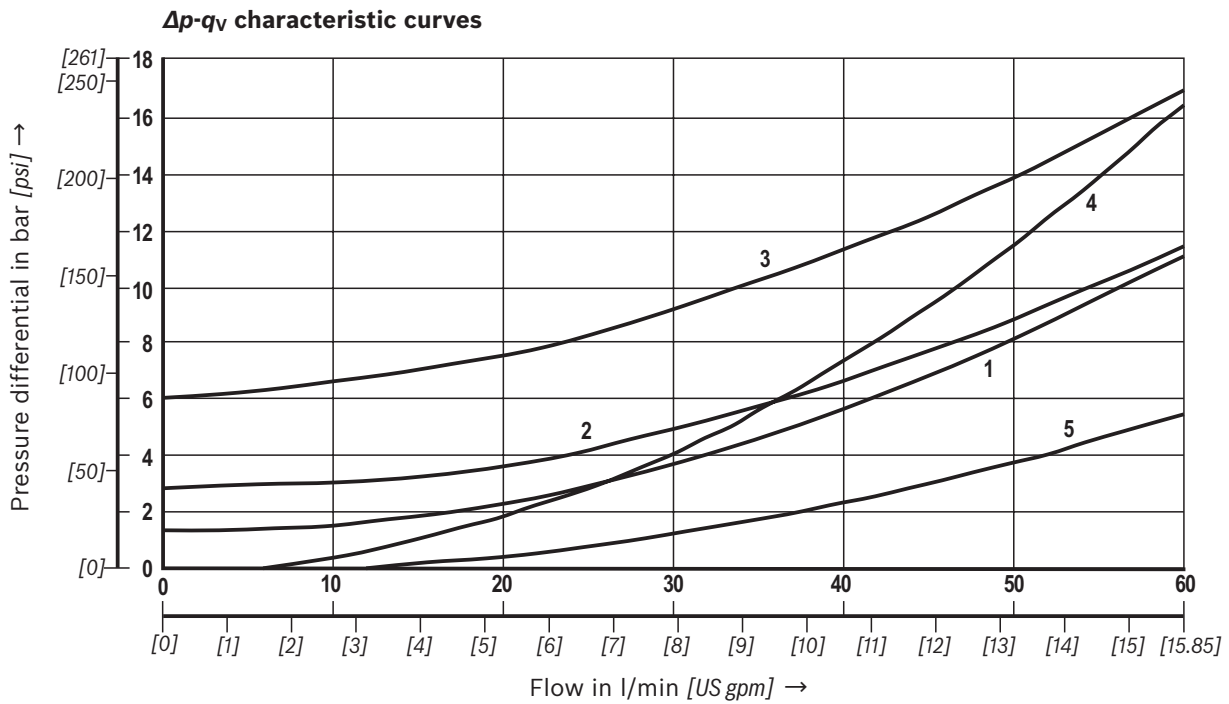
¹⁾ The cleanliness classes specified for the components must be adhered to in hydraulic systems. Effective filtration prevents faults and at the same time increases the service life of the components. Available filters can be found at www.boschrexroth.com/filter.

Notice!

Selection of optimal sealing material (see ordering code page 2) also depends on the type of hydraulic fluid used.

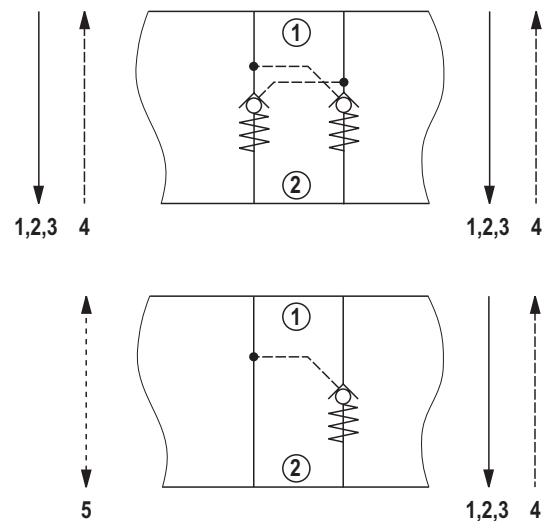
Characteristic curves

(measured with HLP46, $\vartheta_{oil} = 40 \pm 5 \text{ }^\circ\text{C}$ [$104 \pm 9 \text{ }^\circ\text{F}$])



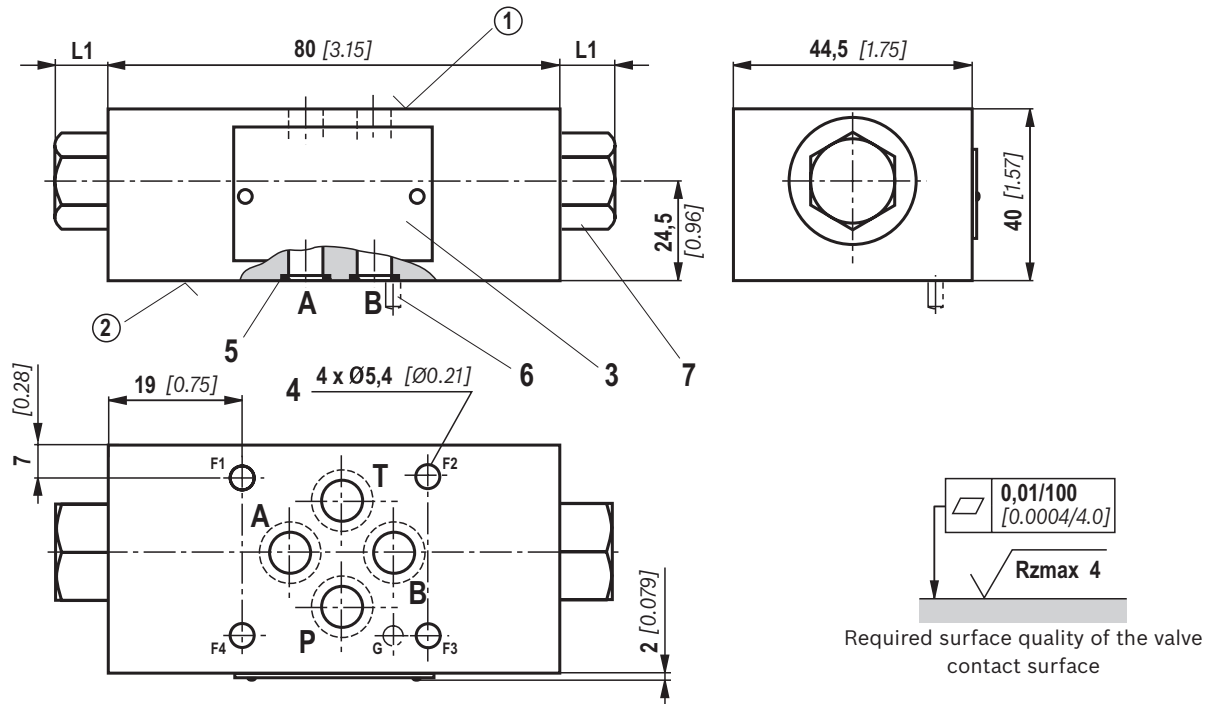
Cracking pressure:

- 1 1.5 bar [21.7 psi]
- 2 3 bar [43.5 psi]
- 3 6 bar [87.0 psi]
- 4 Check valve controlled open via control spool
- 5 Free flow (without check valve use), version "A" and "B"



Unit dimensions

(dimensions in mm [inch])




L1 in mm [inch]

"no code"	"SO40"	"SO55"		"SO60"	"SO150"
11 [0.43]	11 [0.43]	11 [0.43]	21.5 ¹⁾ [0.85]	11 [0.43]	21.5 [0.85]

¹⁾ Maximum dimension on the side of the check valve use

- ① Component side – porting pattern according to DIN 24340 form A (**without** locating hole), or ISO 4401-03-02-0-05 (**with** locating hole $\varnothing 4 \times 4$ mm deep) and NFPA T3.5.1 R2-2002 D03
- ② Plate side – porting pattern according to DIN 24340 form A (**without** locating hole), or ISO 4401-03-02-0-05 (**with** locating hole for locking pin ISO 8752-3x8-St; version "/60" and "/62") and NFPA T3.5.1 R2-2002 D03
- 3 Name plate
- 4 Through hole for valve mounting
- 5 Identical seal rings for ports A, B, P, T
- 6 Locking pin ISO 8752-3x8-St (only version "/62")
- 7 Plug screw SW22

Valve mounting screws (separate order)
4 hexagon socket head cap screws ISO 4762 - M5 - 10.9
4 hexagon socket head cap screws N10-24 UNC

 **Notice:**

The length of the valve mounting screws of the sandwich plate valve must be selected according to the components mounted under and over the isolator valve. Depending on the application, screw type and tightening torque must be adjusted to the circumstances. Please ask Rexroth for screws with the required length.

More information

- ▶ Sandwich plates, size 6
- ▶ Mineral oil-based hydraulic fluids
- ▶ General product information on hydraulic products
- ▶ Installation, commissioning and maintenance of industrial valves
- ▶ Hydraulic valves for industrial applications
- ▶ Selection of the filters

Data sheet 48050

Data sheet 90220

Data sheet 07008

Data sheet 07300

Data sheet 07600-B

www.boschrexroth.com/filter

Notes

Bosch Rexroth AG
Hydraulics
Zum Eisengießer 1
97816 Lohr am Main, Germany
Phone +49 (0) 93 52/ 18-0
documentation@boschrexroth.de
www.boschrexroth.de

© This document, as well as the data, specifications and other information set forth in it, are the exclusive property of Bosch Rexroth AG. It may not be reproduced or given to third parties without its consent.
The data specified above only serve to describe the product. No statements concerning a certain condition or suitability for a certain application can be derived from our information. The information given does not release the user from the obligation of own judgment and verification. It must be remembered that our products are subject to a natural process of wear and aging.

Notes

Bosch Rexroth AG
Hydraulics
Zum Eisengießer 1
97816 Lohr am Main, Germany
Phone +49 (0) 93 52/18-0
documentation@boschrexroth.de
www.boschrexroth.de

© This document, as well as the data, specifications and other information set forth in it, are the exclusive property of Bosch Rexroth AG. It may not be reproduced or given to third parties without its consent.
The data specified above only serve to describe the product. No statements concerning a certain condition or suitability for a certain application can be derived from our information. The information given does not release the user from the obligation of own judgment and verification. It must be remembered that our products are subject to a natural process of wear and aging.

Notes

